

Quicklub[®]

***Progressive Centralized Lubrication Systems
for Commercial Mineral Oils with Minimum 40 mm²/s (cST)
and Greases up to NLGI Grade 2***



Subject to modification

1111a95

This User Manual was compiled on behalf of

- the manufacturer

Lincoln GmbH
Heinrich-Hertz-Str. 2-8
D-69190 Walldorf

- by

EdiDoc GmbH
Erzberger Str. 8
D-68753 Waghäusel

All rights reserved.

Any duplication of this User Manual, in its entirety or in part,
by whatever means is prohibited without the prior consent in
writing of Lincoln GmbH.

Subject to modifications without prior notification.



© 2011 by

Phone: +49 (6227) 33-0

Fax: +49 (6227) 33-259

E-Mail: Lincoln@lincolnindustrial.de

Table of Contents

	Page		Page
Electric centralized lubrication		Lines and accessories	62
Pump 203	4	Accessories for centralized lubrication pumps model 203	70
Conversion sets	18	Pressure reducing valves	
Identification code	19	Identification code	72
Assemblies	23	Manometer	74
Pump 233/223	27	Brackets	74
Identification code	29	Electric Accessories	
Hand-operated centralized lubrication pumps		- for centralized lubrication pump model 203	
Model HP, HPG, HPGO	31	without control unit	75
Pneumatically operated centralized lubrication pumps		- for SSV metering devices	76
Model PP, PPG, PPO, PPGO	32	Accessories for SSV metering devices	80
SSV progressive metering devices and connecting elements		Accessories for manually operated systems	81
Identification code	33	Tools	83
SSV Inlet fittings		Filler pumps	
- Screw type	41	- for cartridge filling (400 cm ³ cartridge)	84
- Push-in type	43	Pump, hand-operated for grease up to NGLI grade 2	87
Outlet fittings		Drilling templates	87
- Screw type	44	Operating instructions	87
- Quicklinc outlet fittings, push-in type	45	Dimensions	
Closure plugs	47	Pump 203	88
Other fittings	48	Pump 223/233	94
Connecting elements for lube points and feed lines		Fixing boreholes	100
Identification code for fittings	49	SSVM Metering device	101
Connecting elements, screw type	49	Block Metering Devices	
Quick couplings (Quicklinc)		SSV	101
Identification code for quick couplings	55	SSV D	102
Quicklinc connecting elements, push-in type	55	Fittings	103
Quickclub accessories	61	Brackets	107
		Weights	
		Pumps 203	109
		Metering Devices	109
		Lincoln worldwide	112

Technical description Quickclub Pump 203

Technical description for "Electronic control units" of pump 203:

- Control p.c.b. 236-13891-1 - model V10-V13
- Control p.c.b. 236-13857-1 - model H
- Control p.c.b. 236-13870-1 - model M 08 - M 15
- Control p.c.b. 236-13870-1 - model M 16 - M 23

Installation instructions

Subject to modification

Electric Central Lubrication Pump Model 203: 2L, 4L, 8L and 15L



Fig. 1-1 Assortment of electric central lubrication pumps 203

1173a95

The following parts belong to the scope of delivery of the pumps 203:

- **Pump bottom**, with motor 12 or 24 VDC
- **Reservoir** with/without lid (2, 4, 8, 15 liter), with grease filling 0.75 kg (for 2L reservoir), 1.5 kg (for 4 L, 8 L and 15 L reservoir)
- **Pump element(s)**: 1 - 3 pump elements can be used
The following models are available:
 - For grease or oil supply with fixed lubricant output
 - K5 piston Ø 5 mm; 2 cm³/min
 - K6 piston Ø 6 mm; 2.8 cm³/min
 - K7 piston Ø 7 mm; 4 cm³/min
 - B7 piston Ø 7 mm; 2 cm³/min
 - For grease or oil supply with adjustable output (KR)
piston Ø 7 mm; 0.7 cm³ - 3 cm³/min
 - For supply of chisel paste (C7; S7 for synthetic grease)
piston Ø 7 mm; 4 cm³/min
- **Accessories**
 - *Pressure relief valve* - must be ordered separately (versions see Fig. 19-1 ff), fixing screws with *accessories*, drilling template and operating instructions
 - *Low-level control*, if any. The parts are integrated in the pump bottom and in the reservoir.
 - *Power supply for the connection to 230 VAC*, if any, is integrated in the pump bottom, possible with/ without control p.c.b. V10-V13 or p.c.b. M08-M23
- **ontrol p.c.b.** for 12/24 VDC in the versions:
Pump without control p.c.b. V10-V13 (V20-V23 for USA), H, M08-M23

Electric Central Lubrication Pump Model 203: 2L, 4L and 8L, continuation

- **Electrical connections** (see identification code)

Control p.c.b.	Low-level control	Square type plug DIN 43650 Design A	Bayonet plug DIN 72585-1	AMP plug	10 m cable	Socket for 1 piston detector	Socket for 2 piston detectors	Type of connection
without		1x			1x (4-core)			1A1.10
without			1x		1x (4-core)			1A5.14
without		1x						1A1.01
without	1x	1x			1x (4-core)			1A1.10
without	1x	2x			1x (4-core)			2A1.10
without	1x	2x						2A1.01
V 10 to V 13, H		1x			1x (4-core)			1A1.10
V 10 to V 13, H	1x	2x			1x (4-core)			2A1.10
V 10 to V 13, H			1x		1x (4-core)			1A5.14
V 10 to V 13, H	1x		1x		1x 4-core)			1A5.14
V 10 to V 13, H		2x			1x (4-core)			2A1.10
V 10 to V 13, H		1x	1x		1x (6-core)			2A7.16
V 10 to V 13, H			1x		1x (6-core)			1A7.16
V 10 to V 13, H		1x						1A1.01
V 10 to V 13, H	1x	2x						2A1.01
V 10 to V 13, H		2x						1A1.01
M 08 to M 23	1x		1x		1x (5-core)	1x		2 A6.15
M 08 to M 23	1x		1x		1x (5-core)		1x	2 A6.15
M 08 to M 23	1x	1x	1x		1x (5-core)	1x		3A6.15
M 08 to M 23	1x	1x	1x		1x (5-core)		1x	3A6.15



IMPORTANT

The pump part numbers listed here are only an extract of the standard pump program. Special pumps or customized pumps are not listed, however, may be included by chance.

6001a02

Pump 203 DC without control p.c.b.

Reservoir for grease without low-level control; 10 m connecting cable

2 Litre

Model 12 VDC	Part no.	Model 24 VDC	Part no.
without cable:			
P203-2XN-1K6-12-1A1.10	644-40613-8	P203-2XN-1K5-24-1A1.00	644-37422-1
incl. cable:			
P203-2XN-1K6-12-1A1.10	644-37456-1	P203-2XN-1K6-24-1A1.10	644-37444-1
		P203-2XN-3K6-24-1A1.10	644-37441-1
		P203-2XN-1K7-24-1A1.10	644-37519-1
		P203-2XN-2K7-24-1A1.10	644-40640-1

2 Litre, flat-type reservoir

Model 12 VDC	Part no.
P203-2XNFL-1K6-12-1A1.10	644-37502-1

2 Litre, with reservoir lid

Model 24 VDC	Part no.
P203-2XNBO-1K6-24-1A1.10	644-40608-2
P203-2XNBO-2K6-24-1A1.10	644-40608-1
P203-2XNBO-1K7-24-1A1.10	644-40608-9

4 Litre, with reservoir lid

Model 24 VDC	Part no.
P203-4XNBO-1K6-24-1A1.10	644-37486-1
P203-4XNBO-1K7-24-1A1.10	644-37494-1

4 Litre, with reservoir lid, chisel paste

Model 24 VDC	Part no.
P203-4XNBO-1C7-24-1A1.10	644-40597-8

8 Litre, with reservoir lid

Model 24 VDC	Part no.
P203-8XNBO-1K6-24-1A1.10	644-37483-1
P203-8XNBO-3K6-24-1A1.10	644-40645-5
P203-8XNBO-1K7-24-1A1.10	644-40645-6
P203-8XNBO-3K7-24-1A1.10	644-40645-8

8 Litre, with reservoir lid, chisel paste

Model 24 VDC	Part no.
P203-8XNBO-2C7-24-1A1.10	644-40645-9

Reservoir for grease without low-level control; with connecting plug

2 Litre

Model 12 VDC	Part no.	Model 24 VDC	Part no.
P203-2XN-2K6-12-1A1.01	644-40732-8	P203-2XN-2K5-24-1A1.01	644-40613-4
		P203-2XN-1K6-24-1A1.01	644-40613-5
		P203-2XN-2K6-24-1A1.01	644-40613-1
		P203-2XN-3K6-24-1A1.01	644-40520-4
		P203-2XN-1K7-24-1A1.01	644-40520-2
		P203-2XN-3K7-24-1A1.01	644-40613-3

2 Litre, with reservoir lid

Model 12 VDC	Part no.	Model 24 VDC	Part no.
P203-2XNBO-1K5-12-1A1.01	644-40583-1	P203-2XNBO-1K5-24-1A1.01	644-40540-2
P203-2XNBO-1K6-12-1A1.01	644-40990-5	P203-2XNBO-1K6-24-1A1.01	644-40540-1
		P203-2XNBO-2K6-24-1A1.01	644-40540-8
		P203-2XNBO-3K6-24-1A1.01	644-40540-7
		P203-2XNBO-1K7-24-1A1.01	644-40540-6
		P203-2XNBO-2K7-24-1A1.01	644-40583-9
		P203-2XNBO-3K7-24-1A1.01	644-40583-4

Pump P 203 DC without control p.c.b., continuation

Reservoir for grease without low-level control; with connecting plug, continuation

4 Litre, with reservoir lid	Model 24 VDC	Part no.
	P203-4XNBO-1K5-24-1A1.01	644-40581-4
	P203-4XNBO-1K6-24-1A1.01	644-40581-8
	P203-4XNBO-2K6-24-1A1.01	644-40597-7
	P203-4XNBO-1K7-24-1A1.01	644-40581-2
	P203-4XNBO-3K7-24-1A1.01	644-40600-1
	P203-4XNBO-2K7-24-1A1.01	644-40581-3
	P203-4XNBO-3K6-24-1A1.01	644-40600-4
	P203-4XNBO-2K5-24-1A1.01	644-40549-7
	P203-4XNBA-3K6-24-1A1.01	644-40703-9

8 Litre, with reservoir lid	Model 12 VDC	Part no.	Model 24 VDC	Part no.
	P203-8XNBO-1K6-12-1A1.01	644-40770-9	P203-8XNBO-3K5-24-1A1.01	644-40615-7
			P203-8XNBO-1K6-24-1A1.01	644-40550-1
			P203-8XNBO-3K6-24-1A1.01	644-40666-7
			P203-8XNBO-1K7-24-1A1.01	644-40615-1
			P203-8XNBO-2K7-24-1A1.01	644-40615-8
			P203-8XNBO-3K7-24-1A1.01	644-40615-5

Reservoir for grease with low-level control; 10 m connecting cable

2 Litre	Model 24 VDC	Part no.
	P203-2XL-1K6-24-2A1.10.....	644-37478-1
	P203-2XL-1K7-24-2A1.10.....	644-37487-1
	P203-2XL-3K6-24-2A1.10.....	644-40640-3

2 Litre, with reservoir lid	Model 24 VDC	Part no.
	P203-2XLBO-1K6-24-2A1.10.....	644-40608-7
	P203-2XLBO-1K7-24-2A1.10.....	644-40608-6

4 Litre, with reservoir lid	Model 12 VDC	Part no.	Model 24 VDC	Part no.
	P203-4XLBO-1K6-12-2A1.10.....	644-40794-4	P203-4XLBO-1K6-24-2A1.10.....	644-37515-1
			P203-4XLBO-2K7-24-2A1.10.....	644-37597-9
			P203-4XLBO-3K5-24-1A1.01.....	644-40581-7
			P203-4XLBO-3K7-24-2A1.01.....	644-40600-5
			P203-4XLBO-3K5-24-2A1.01.....	644-40549-4
			P203-4XLBO-2K7-24-2A1.01.....	644-40549-8
			P203-4XLBO-2K6-24-2A1.01.....	644-40549-9

8 Litre, with reservoir lid	Model 12 VDC	Part no.	Model 24 VDC	Part no.
	P203-8XLBO-1K6-12-2A1.10.....	644-40836-2	P203-8XLBO-1K6-24-2A1.10.....	644-37491-1
			P203-8XLBO-1K7-24-2A1.10.....	644-40645-3

Pump P 203 DC without control p.c.b., continuation

Reservoir for grease with low-level control; connecting plug

2 Litre

Model 12 VDC	Part no.	Model 24 VDC	Part no.
P203-2XL-1K7-12-2A1.01.....	644-40898-6	P203-2XL-3K5-24-2A1.01.....	644-40613-7
		P203-2XL-1K6-24-2A1.01.....	644-40613-2
		P203-2XL-1K7-24-2A1.01.....	644-40520-5

2 Litre, with reservoir lid

Model 24 VDC	Part no.
P203-2XLBO-1K5-24-2A1.01.....	644-40664-6
P203-2XLBO-1K6-24-2A1.01.....	644-40540-3
P203-2XLBO-1K7-24-2A1.01.....	644-40540-9
P203-2XLBO-3K6-24-2A1.01.....	644-40851-8
P203-2XLBO-1KR-24-2A1.01.....	644-40851-4
P203-2XLBO-2KR-24-2A1.01.....	644-40851-5

4 Litre, with reservoir lid

Model 24 VDC	Part no.
P203-4XLBO-1K6-24-2A1.01.....	644-40549-2
P203-4XLBO-1K7-24-2A1.01.....	644-40549-5
P203-4XLBO-3K6-24-2A1.01.....	644-40581-5
P203-4XLBO-2K5-24-2A1.01.....	644-40581-6

8 Litre, with reservoir lid

Model 24 VDC	Part no.
P203-8XLBO-2K5-24-2A1.01.....	644-40615-2
P203-8XLBO-3K6-24-2A1.01.....	644-40666-4
P203-8XLBO-1K7-24-2A1.01.....	644-40550-4
P203-8XLBO-2K7-24-2A1.01.....	644-40666-1
P203-8XLBO-3K7-24-2A1.01.....	644-40666-6
P203-8XLBO-3K5-24-2A1.01.....	644-40550-5
P203-8XLBO-2K6-24-2A1.01.....	644-40550-6
P203-8XLBO-1K6-24-2A1.01.....	644-40550-7
P203-8XLBA-1K6-24-2A1.01.....	644-40861-1

Reservoir for oil without low-level control; 10 m connecting cable

2 Litre, with reservoir lid

Model 24 VDC	Part no.
P203-2YNBO-1K7-24-1A1.10.....	644-40608-8
P203-2YNBO-1K6-24-1A1.10.....	644-40608-4
P203-2YNBO-3K6-24-1A1.10.....	644-40776-2

4 Litre, with reservoir lid

Model 12 VDC	Part no.	Model 24 VDC	Part no.
P203-4YNBO-1K6-12-1A1.10.....	644-40597-3	P203-4YNBO-1K5-24-1A1.10.....	644-40597-4
P203-4YNBO-1K7-12-1A1.10.....	644-40597-2	P203-4YNBO-2K5-24-1A1.10.....	644-40597-6
		P203-4YNBO-1K6-24-1A1.10.....	644-40597-5

8 Litre, with reservoir lid

Model 24 VDC	Part no.
P203-8YNBO-2KR-24-1A1.10.....	644-40645-7

Pump P 203 DC without control p.c.b., continuation

Reservoir for oil without low-level control; connecting plug

4 Litre, with reservoir lid

Model 12 VDC	Part no.	Model 24 VDC	Part no.
P203-4XNBO-1K7-12-1A1-01.....	644-41035-1	P203-4YNBO-1K5-24-1A1.01.....	644-40581-9
		P203-4YNBO-1K6-24-1A1.01.....	644-40633-7
		P203-4YNBO-2K6-24-1A1.01.....	644-40633-8
		P203-4YNBO-1K7-24-1A1.01.....	644-40633-3

8 Litre, with reservoir lid

Model 24 VDC	Part no.
P203-8YNBO-1K5-24-1A1.01.....	644-40615-9
P203-8YNBO-1K6-24-1A1.01.....	644-40550-9
P203-8YNBO-1K7-24-1A1.01.....	644-40615-4
P203-8YNBO-1KR-24-1A1.01.....	644-40861-7

Reservoir for oil with low-level control; 10 m connecting cable

2 Litre, with reservoir lid

Model 24 VDC	Part no.
P203-2YLBO-1K6-24-1A1.10.....	644-40608-4

4 Litre, with reservoir lid

Model 24 VDC	Part no.
P203-4YLBO-1K6-24-1A1.10.....	644-40597-1

8 Litre, with reservoir lid

Model 24 VDC	Part no.
P203-8YLBO-1K6-24-1A1.10.....	644-40645-2
P203-8YLBO-1K7-24-1A1.10.....	644-40645-1

Reservoir for oil with low-level control; connecting plug

2 Litre, with reservoir lid

Model 24 VDC	Part no.
P203-2YLBO-1K6-24-2A1.01.....	644-40583-3

4 Litre, with reservoir lid

Model 24 VDC	Part no.
P203-4YLBO-1K7-24-1A1.01.....	644-40600-9
P203-4YLBO-2K7-24-1A1.01.....	644-40600-6
P203-4YLBO-3K5-24-1A1.01.....	644-40600-7

8 Litre, with reservoir lid

Model 24 VDC	Part no.
P203-8YLBO-1K6-24-1A1.01.....	644-40550-8
P203-8YLBO-1K7-24-1A1.01.....	644-40666-5
P203-8YLBO-2K7-24-1A1.01.....	644-40666-3

Pump P 203 AC without control p.c.b.

Reservoir for grease without low-level control; AC; connecting plug

Capacity, with reservoir lid	Model 230 VAC	Part no.
2 Litre, with reservoir lid	P203-2XNBO-3K6-AC-1A1.01	644-40782-1
4 Litre, with reservoir lid	P203-4XNBO-1K6-AC-1A1.01	644-40718-7
8 Litre, with reservoir lid	P203-8XNBO-1K6-AC-1A1.01	644-40721-9
	P203-8XNBO-3K7-AC-1A1.01	644-40808-8

Reservoir for grease with low-level control; AC; connecting plug

Capacity, with reservoir lid	Model 230 VAC	Part no.
2 Litre	P203-2XLBO-1K6-AC-2A1.01	644-40782-2
	P203-2XL-1K6-AC-2A1.01	644-40849-3
4 Litre, with reservoir lid	P203-4XLBO-1K6-AC-2A1.01	644-40718-1
8 Litre, with reservoir lid	P203-8XLBO-1K6-AC-2A1.01	644-40721-5

Reservoir for oil without low-level control; AC; connecting plug

Capacity, with reservoir lid	Model 230 VAC	Part no.
2 Litre, with reservoir lid	P203-2YNBO-1KR-AC-1A1.01	644-40849-7
8 Litre, with reservoir lid	P203-8YNBO-1K5-AC-1A1.01	644-40808-4

Reservoir for oil with low-level control; AC; connecting plug

Capacity, with reservoir lid	Model 230 VAC	Part no.
8 Litre, with reservoir lid	P203-8YLBO-2K7-AC-1A1.01	644-40666-9

Pump P 203 DC with control p.c.b. V10-V13

Reservoir for grease without low-level control;V10-V13 p.c.b.; 10 m connecting cable

2 Litre

Model 12 VDC

	Part no.
P203-2XN-1K6-12-1A1.10-V10.....	644-37423-1
P203-2XN-1K6-12-2A1.10-V10.....	644-37425-1

Model 24 VDC

	Part no.
P203-2XN-1K6-24-1A1.10-V10.....	644-37424-1
P203-2XN-1K6-24-2A1.10-V10.....	644-37426-1
P203-2XN-1K7-24-2A1.10-V10.....	644-40657-6
P203-2XN-2K7-24-2A1.10-V10.....	644-40601-2
P203-2XN-1K6-24-1A1.10-V11.....	644-40601-3
P203-2XN-2K6-24-1A1.10-V10.....	644-40601-4
P203-2XN-1K6-24-2A1.10-V12.....	644-40601-6
P203-2XN-1K6-24-1A1.10-V12.....	644-40601-9
P203-2XN-1K6-24-1A1.10-V11.....	644-40874-1
P203-2XN-1K6-24-1A7.16-V10.....	644-40874-5

2 Litre, with reservoir lid

Model 12 VDC

	Part no.
P203-2XNBO-1K5-12-1A1.10-V10	644-40636-5
P203-2XNBO-1K6-12-2A1.10-V10	644-40772-8
P203-2XNBO-2K7-12-2A1.10-V10	644-40772-5

Model 24 VDC

	Part no.
P203-2XNBO-1K5-24-1A1.10-V10	644-40636-3
P203-2XNBO-1K6-24-1A1.10-V10	644-37510-1
P203-2XNBO-1K6-24-2A1.10-V10	644-37514-1
P203-2XNBO-1K6-24-2A1.10-V13	644-40636-7
P203-2XNBO-1K6-24-1A1.10-V13	644-40636-8
P203-2XNBO-1K7-24-1A1.10-V10	644-40636-6
P203-2XNBO-1K7-24-2A1.10-V10	644-40636-2
P203-2XNBO-3K6-24-1A1.10-V10	644-40772-6

2 Litre, flat-Modele reservoir

Model 24 VDC

	Part no.
P203-2XNFL-1K6-24-1A1.10-V10	644-37470-1
P203-2XNFL-1K6-24-2A1.10-V10	644-37471-1

4 Litre, with reservoir lid

Model 12 VDC

	Part no.
P203-4XNBO-1K6-12-1A1.10-V10	644-40599-1
P203-4XNBO-1K6-12-2A1.10-V10	644-37501-1
P203-4XNBO-1K7-12-2A1.10-V10	644-40599-7
P203-4XNBO-1K7-12-1A1.10-V10	644-40753-2

Model 24 VDC

	Part no.
P203-4XNBO-1K6-24-1A1.10-V10	644-37481-1
P203-4XNBO-1K6-24-2A1.10-V10	644-37480-1
P203-4XNBO-2K6-24-2A1.10-V10	644-37499-6
P203-4XNBO-1K7-24-1A1.10-V10	644-40662-3
P203-4XNBO-3K7-24-1A1.10-V10	644-40599-8
P203-4XNBO-1K7-24-2A1.10-V10	644-40662-1
P203-4XNBO-3K6-24-1A1.10-V10	644-40753-4
P203-4XNBO-1K5-24-1A1.10-V11	644-40860-3

8 Litre, with reservoir lid

Model 12 VDC

	Part no.
P203-8XNBO-1K6-12-1A1.10-V10	644-40683-2
P203-8XNBO-1K6-12-2A1.10-V10	644-40683-1
P203-8XNBO-2K7-12-1A1.10-V10	644-40683-7

Model 24 VDC

	Part no.
P203-8XNBO-1K5-24-2A1.10-V10	644-40683-5
P203-8XNBO-1K6-24-1A1.10-V10	644-37475-1
P203-8XNBO-1K6-24-2A1.10-V10	644-37474-1
P203-8XNBO-2K6-24-1A1.10-V10	644-40610-3
P203-8XNBO-1K7-24-1A1.10-V10	644-37534-1
P203-8XNBO-2K7-24-1A1.10-V10	644-40683-3
P203-8XNBO-3KR-24-1A1.10-V10.....	644-40683-6

8 Litre

Model 24 VDC

	Part no.
P203-8XN-1K6-24-1A1.10-V10.....	644-40969-1
P203-8XN-1K6-24-2A1.10-V10.....	644-40969-2

Pump P 203 DC with control p.c.b. V10-V13, continuation

Reservoir for grease without low-level control;V10-V13 p.c.b.; connecting plug

2 Litre

Model 12 VDC	Part no.	Model 24 VDC	Part no.
P203-2XN-1K6-12-2A1.01-V10.....	644-40563-9	P203-2XN-1K5-24-1A1.01-V10.....	644-40563-5
P203-2XN-1K6-12-1A1.01-V10.....	644-40835-8	P203-2XN-1K6-24-1A1.01-V10.....	644-40563-2
		P203-2XN-1K6-24-2A1.01-V10.....	644-40670-3
		P203-2XN-1K6-24-1A1.01-V12.....	644-40670-1
		P203-2XN-1K7-24-1A1.01-V10.....	644-40670-9
		P203-2XN-1K7-24-2A1.01-V10.....	644-40670-4
		P203-2XN-2K5-24-1A1.01-V11.....	644-40563-6

2 Litre, with reservoir lid

Model 24 VDC	Part no.
P203-2XNBO-1K6-24-1A1.01-V10	644-40565-1
P203-2XNBO-3K6-24-1A1.01-V10	644-40641-3
P203-2XNBO-1K7-24-1A1.01-V10	644-40565-4
P203-2XNBO-1K7-24-2A1.01-V10	644-40565-5
P203-2XNBO-2K7-24-1A1.01-V10	644-40641-1
P203-2XNBO-1K7-24-2A1.01-V12	644-40565-3
P203-2XNBO-2K6-24-1A1.01-V10	644-40817-9

4 Litre

Model 12 VDC	Part no.	Model 24 VDC	Part no.
P203-4XN-1K6-12-2A1.10-V10.....	644-41072-1	P203-4XN-1K6-24-1A1.10-V10.....	644-40860-5

4 Litre, with reservoir lid

Model 24 VDC	Part no.
P203-4XNBO-1K5-24-1A1.01-V10	644-40586-6
P203-4XNBO-1K6-24-1A1.01-V10	644-40586-8
P203-4XNBO-2K6-24-1A1.01-V10	644-40586-9
P203-4XNBO-1K6-24-1A1.01-V13	644-40650-3
P203-4XNBO-1K7-24-1A1.01-V10	644-40586-4
P203-4XNBO-1K7-24-1A1.01-V12	644-40586-2
P203-4XNBO-1K7-24-2A1.01-V10	644-40650-5

8 Litre, with reservoir lid

Model 12 VDC	Part no.	Model 24 VDC	Part no.
P203-8XNBO-1K6-12-1A1.10-V10	644-40683-2	P203-8XNBO-1K6-24-2A1.01-V10	644-40594-9
P203-8XNBO-1K6-12-2A1.10-V10	644-40683-1	P203-8XNBO-1K7-24-1A1.01-V10	644-40594-8
P203-8XNBO-2K7-12-1A1.10-V10	644-40683-7	P203-8XNBO-1K7-24-1A1.01-V12	644-40594-7
		P203-8XNBO-1K7-24-2A1.01-V10	644-40594-4
		P203-8XNBO-2K7-24-1A1.01-V10	644-40691-1
		P203-8XNBO-3K7-24-1A1.01-V10	644-40594-1
		P203-8XNBO-2K6-24-2A1.10-V10	644-40833-8
		P203-8XNBO-3K6-24-1A1.10-V10	644-40833-5
		P203-8XNBO-1K6-24-2A1.10-V10	644-46102-7
		P203-8XNBO-1C7-24-2A1.10-V10	644-46208-5

Pump P 203 DC with control p.c.b. V10-V13, continuation

Reservoir for grease with low-level control; V10-V13 p.c.b.; 10 m connecting cable

2 Litre

Model 12 VDC	Part no.	Model 24 VDC	Part no.
P203-2XL-1K6-12-2A1.10-V10	644-40601-5	P203-2XL-1K6-24-2A1.10-V10	644-37460-1
		P203-2XL-3K6-24-2A1.10-V10	644-40874-2

2 Litre, with reservoir lid

Model 24 VDC	Part no.
P203-2XLBO-1K6-24-2A1.10-V10	644-40636-1
P203-2XLBO-1K7-24-2A1.10-V10	644-40636-4

4 Litre, with reservoir lid

Model 24 VDC	Part no.
P203-4XLBO-1K5-24-2A1.10-V10	644-37599-2
P203-4XLBO-1K6-24-2A1.10-V10	644-37516-1
P203-4XLBO-1K7-24-2A1.10-V10	644-37599-5

8 Litre, with reservoir lid

Model 12 VDC	Part no.	Model 24 VDC	Part no.
P203-8XLBO-1K6-12-2A1.10-V10	644-37455-1	P203-8XLBO-2K7-24-2A1.10-V11	644-40610-5
P203-8XLBO-3K6-12-2A1.10-V10	644-40683-8	P203-8XLBO-3K6-24-2A1.10-V11	644-40610-6
P203-8XLBO-1K7-12-2A1.10-V10	644-40833-4	P203-8XLBO-3K7-24-2A1.10-V10	644-40610-1
		P203-8XLBO-1K6-24-2A1.10-V10	644-40610-2

Reservoir for grease with low-level control; V10-V13 p.c.b.; connecting plug

2 Litre

Model 12 VDC	Part no.	Model 24 VDC	Part no.
P203-2XL-1K6-12-2A1.10-V10	644-40601-5	P203-2XL-1K6-24-2A1.01-V10	644-40563-4
		P203-2XL-2K7-24-2A1.01-V10	644-40563-1
		P203-2XL-1K6-24-2A1.01-V13	644-46109-8
		P203-2XL-3K7-24-2A1.01-V13	644-40748-6

2 Litre, with reservoir lid

Model 24 VDC	Part no.
P203-2XLBO-1K6-24-2A1.01-V10	644-40641-4
P203-2XLBO-2K6-24-2A1.01-V10	644-40641-6
P203-2XLBO-1K7-24-2A1.01-V10	644-40670-6
P203-2XLBO-1K5-24-2A1.01-V10	644-41055-5

4 Litre, with reservoir lid

Model 12 VDC	Part no.	Model 24 VDC	Part no.
P203-4XLBO-1K6-12-2A1.01-V10	644-40810-4	P203-4XLBO-1K6-24-2A1.01-V10	644-40586-5
P203-4XLBO-2K6-12-2A1.01-V10	644-40975-1	P203-4XLBO-1K7-24-2A1.01-V10	644-40586-3
		P203-4XLBO-1K7-24-2A1.01-V12	644-40586-1
		P203-4XLBO-1K7-24-2A1.01-V13	644-40586-7

8 Litre, with reservoir lid

Model 24 VDC	Part no.
P203-8XLBO-1K6-24-2A1.01-V10	644-40691-3
P203-8XLBO-1K7-24-2A1.01-V10	644-40594-6
P203-8XLBO-2K7-24-2A1.01-V10	644-40594-3
P203-8XLBO-3K7-24-2A1.01-V10	644-40594-5

Subject to modification

Pump P 203 DC with control p.c.b. V10-V13, continuation

Reservoir for grease without low-level control; V10-V13 p.c.b.; 10 m connecting cable, ADR

2 Litre

Model 12 VDC	Part no.	Model 24 VDC	Part no.
P203-2XN-1K6-12-1A1.11-V10-ADR.....	644-37446-1	P203-2XN-1K6-24-1A1.11-V10-ADR.....	644-37447-1
		P203-2XN-1K6-24-2A1.11-V10-ADR.....	644-37454-1

Reservoir for oil without low-level control; V10-V13 p.c.b.; 10 m connecting cable

2 Litre, with reservoir lid

Model 12 VDC	Part no.	Model 24 VDC	Part no.
P203-2YNBO-1K6-12-1A1.10-V10	644-40772-7	P203-2YNBO-1K6-24-1A1.10-V10	644-37468-1
P203-2YNBO-2K6-12-1A1.10-V10	644-40772-2	P203-2YNBO-1K6-24-2A1.10-V10	644-37499-1
		P203-2YNBO-1K7-24-2A1.10-V10	644-37497-1

4 Litre, with reservoir lid

Model 24 VDC	Part no.
P203-4YNBO-1K6-24-1A1.10-V10	644-40662-2

Reservoir for oil without low-level control; V10-V13 p.c.b.; connecting plug

2 Litre, with reservoir lid

Model 24 VDC	Part no.
P203-2YNBO-1K6-24-1A1.01-V10	644-40641-2
P203-2YNBO-1K6-24-2A1.01-V10	644-40641-9
P203-2YNBO-1K7-24-1A1.01-V10	644-40641-5
P203-2YNBO-2K6-24-1A1.01-V10	644-40565-7
P203-2YNBO-3K6-24-1A1.01-V10	644-40817-4

4 Litre, with reservoir lid

Model 24 VDC	Part no.
P203-4YNBO-1K6-24-1A1.01-V10	644-40810-8
P203-4YNBO-1K7-24-1A1.01-V10	644-40810-6

8 Litre, with reservoir lid

Model 12 VDC	Part no.	Model 24 VDC	Part no.
P203-8YNBO-1K7-12-1A1.01-V10	644-40916-3	P203-8YNBO-1K7-24-1A1.01-V10	644-40594-2

Pump P 203 DC with control p.c.b. V10-V13, continuation

Reservoir for oil with low-level control; V10-V13 p.c.b.; 10 m connecting cable

2 Litre, with reservoir lid	Model 24 VDC	Part no.
	P203-2YLBO-1K6-24-1A1.01-V10	644-41055-1
	P203-2YLBO-1K6-24-2A1.01-V11	644-40641-7
	P203-2YLBO-3K6-24-1A1-01-V10	644-40817-3

4 Litre, with reservoir lid	Model 24 VDC	Part no.
	P203-4YLBO-1K6-24-2A1.10-V10	644-40599-4
	P203-4YLBO-1K7-24-2A1.10-V10	644-40599-3
	P203-4YLBO-1K6-24-1A1-10-V10	644-40662-9

Reservoir for oil with low-level control; V10-V13 p.c.b.; connecting plug

2 Litre, with reservoir lid	Model 24 VDC	Part no.
	P203-2YLBO-3K6-24-1A1.01-V10	644-40817-3

4 Litre, with reservoir lid	Model 24 VDC	Part no.
	P203-4YLBO-2K6-24-2A1.01-V10	644-40650-4

8 Litre, with reservoir lid	Model 24 VDC	Part no.
	P203-8YLBO-2K6-24-2A1.01-V10	644-40691-2
	P203-8YLBO-1K7-24-2A1.01-V10	644-40691-4
	P203-8YLBO-3K6-24-1A1.01-V10	644-40727-2

Pump P 203 AC with control p.c.b. V10-V13

Reservoir for grease without low-level control; V10-V13 p.c.b.; AC; connecting plug

2 Litre	Model 230 AC	Part no.
	P203-2XN-1K6-AC-1A1.01-V10	644-40716-1

2 Litre, with reservoir lid	Model 230 AC	Part no.
	P203-2XNBO-1K6-AC-1A1.01-V10	644-40716-2

4 Litre, with reservoir lid	Model 230 AC	Part no.
	P203-4XNBO-1K6-AC-1A1.01-V10	644-40719-5

8 Litre, with reservoir lid	Model 230 AC	Part no.
	P203-8XNBO-1K6-AC-1A1.01-V10	644-40720-1

Pump P 203 AC with control p.c.b. V10-V13, continuation

Reservoir for grease with low-level control; V10-V13 p.c.b.; AC; connecting plug

	Model 230 AC	Part no.
2 Litre, with reservoir lid	P203-2XLBO-1K7-AC-2A1.01-V10	644-40845-6
4 Litre, with reservoir lid	P203-4XLBO-1K6-AC-2A1.01-V10	644-40799-1
	P203-4XLBO-3K6-AC-2A1.01-V10	644-40719-8
8 Litre, with reservoir lid	P203-8XLBO-1K6-AC-2A1.01-V10	644-40762-2

Reservoir for oil without low-level control; V10-V13 p.c.b.; AC; connecting plug

	Model 230 AC	Part no.
2 Litre, with reservoir lid	P203-2YNBO-3K6-AC-1A1.01-V10	644-40834-4

Reservoir for oil with low-level control; V10-V13 p.c.b.; AC; connecting plug

	Model 230 AC	Part no.
2 Litre, with reservoir lid	P203-2YLBO-3K6-AC-1A1.01-V10	644-40834-3

Pump P 203 DC with control p.c.b. M08-M23

Reservoir for grease without low-level control; M08-M23 p.c.b.; 10 m connecting cable

2 Litre		Model 24 VDC	Part no.
		P203-2XN-1K6-24-2A6.15-M09	644-40709-9
2 Litre, with reservoir lid			
Model 12 VDC	Part no.	Model 24 VDC	Part no.
P203-2XNBO-1K6-12-2A6.15-M08	644-40821-3	P203-2XNBO-1K6-24-2A6.15-M13	644-40821-5
4 Litre, with reservoir lid			
Model 12 VDC	Part no.		
P203-4XNBO-1K6-12-2A6.15-M08	644-40919-1		
8 Litre, with reservoir lid		Model 24 VDC	Part no.
		P203-8XNBO-1K7-24-2A6.15-M08	644-40822-9

Reservoir for grease with low-level control; M08-M23 p.c.b.; 10 m connecting cable

4 Litre, with reservoir lid			
Model 12 VDC	Part no.	Model 24 VDC	Part no.
P203-4XLBO-1K6-12-2A6.15-M16	644-40843-9	P203-4XLBO-1K7-24-2A6.15-M08	644-40919-2
P203-4XLBO-1K6-12-2A6.15-M08	644-40843-8		
8 Litre, with reservoir lid			
Model 12 VDC	Part no.		
P203-8XLBO-1K6-12-2A6.15-M16	644-40822-8		

Pump P 203 AC with control p.c.b. M08-M23

Reservoir for oil with low-level control; M08-M23 p.c.b.; AC; 10 m connecting cable

2 Litre		Model 230 AC	Part no.
		P203-2XL-1K6-AC-3A6.15-M08	644-40885-1
2 Litre, with reservoir lid		Model 230 AC	Part no.
		P203-2XLBO-1K5-AC-3A6.15-M08	644-40885-5
		P203-2XLBO-2K6-AC-3A6.15-M17	644-40885-2
4 Litre, with reservoir lid		Model 230 AC	Part no.
		P203-4XLBO-1K7-AC-3A6.15-M08	644-40951-1
8 Litre, with reservoir lid		Model 230 AC	Part no.
		P203-8XLBO-1K6-AC-3A6.15-M08	644-40873-1

Pump P 203 DC with control p.c.b. H

Reservoir for grease without low-level control; H p.c.b.; 10 m connecting cable

2 Litre

Model 12 VDC	Part no.	Model 24 VDC	Part no.
P203-2XN-1K6-12-1A1.10-H	644-37406-1	P203-2XN-1K5-24-1A1.10-H	644-37505-1
		P203-2XN-1K6-24-1A1.10-H	644-37407-1

2 Litre, flat-type reservoir

Model 24 VDC	Part no.
P203-2XNFL-1K6-24-1A1.10-H	644-40601-1

Reservoir for grease without low-level control; H p.c.b.; 10 m connecting cable, ADR

2 Litre

Model 12 VDC	Part no.	Model 24 VDC	Part no.
P203-2XN-1K6-12-1A1.11-H-ADR.....	644-37408-1	P203-2XN-1K6-24-1A1.11-H-ADR.....	644-37409-1

4 Litre, with reservoir lid

Model 24 VDC	Part no.
P203-4XNBO-1K6-24-1A1.11-H-ADR	644-37504-1

Pump P 203 Reservoir Conversion sets

for 2 Litre reservoir

to 2 Litre flat-Modele reservoir	Part. no.
2XN to 2XNFL	544-32047-1

to 4 Litre reservoir	Part. no.
2XN to 4XN	544-32787-1
2XN to 4XNBO	544-32022-1
2XN/XNBO to 4XBF	544-32588-1

to 8 Litre reservoir	Part. no.
2XN to 8XN	544-32788-1
2XL to 8XL	544-32885-1
2XN to 8XNBO	544-32023-1
2XN/XNBO to 8XBF	544-32587-1

to 15 Litre reservoir	Part. no.
2XN to 15XN	544-32956-1

for 4 Litre reservoir

to 4 Litre reservoir with follower plate	Part. no.
4XNBO to 4XBF	544-32589-1

to 15 Litre reservoir	Part. no.
4XN to 15XN	544-32956-1
4XL to 15XLBO	544-32957-2
4XBF to 15XBF	544-32958-2

for 8 Litre reservoir

to 8 Litre reservoir with follower plate	Part. no.
8XNBO to 8XBF	544-32590-1

to 15 Litre reservoir	Part. no.
8XN to 15XN	544-32956-1
8XL to 15XL	544-32957-2
8XBF to 15XBF	544-32958-2



6001a02

NOTE

For XN-, XL-, XNBO-, XNFL- & XBF - decoding see following Identification Codes.

Identification Code – pump variants P 203 DC, with and without control p.c.b. V10-V13, V20-V23, H



6001a02

NOTE

Any pumps combinations other the noted standard pumps can be composed and ordered in accordance with the valid model identification code.

Code examples:

P203 - 2	X	N	- 1	K6 - 24 - 1A	1.	10
P203 - 4	X	N	BO - 1	KR - 24 - 2A	1.	01 - V12
P203 - 2	X	N	- 2	K5 - 12 - 1A	1.	10 - H
P203 - 8	X	N	BO - 1	K6 - 24 - 1A	5.	14 - V13
P203 - 4	Y	L	BO - 1	K7 - 24 - 1A	1.	10 - V20
P203 - 2	X	L	- 1	K6 - 24 - 1A	7.	16 - V10

- P203²⁾

Basic pump model for grease or oil
with 1-3 outlets and 12 VDC or 24 VDC motor

Reservoir design

- 2 = 2 l transparent plastic reservoir
- 4 = 4 l transparent plastic reservoir
- 8 = 8 l transparent plastic reservoir
- 15 = 15 l transparent plastic reservoir
- X = Reservoir for grease
- Y = Reservoir for oil

- N = Standard design
- L = Low-level control
- LNC = Low-level control, normally closed

- No indication = standard reservoir (2 liters)
- BO = Filling from the top
- FL = Flat-type reservoir (only for 2 liters without low-level control)

Pump elements

- 1-3 = Number of elements used
- K 5 = Piston diameter = 5 mm
- K 6 = Piston diameter = 6 mm
- K 7 = Piston diameter = 7 mm
- KR = Pump element, adjustable, Piston diameter = 7 mm
- C 7 = Piston diameter = 7 mm^{B)}
- B 7 = Piston diameter = 7 mm (output of K5)^{D)}
- S 7 = Piston diameter = 7 mm (for greases containing silicone)

Supply voltage

- 12 = 12 VDC (direct current motor)
- 24 = 24 VDC (direct current motor)

Number of electric connecting possibilities

- 1A = 1 connection, left power supply¹⁾
- 1A = 1 connection, left power supply²⁾
- 1A = 1 connection, left power supply³⁾, illuminated pushbutton for additional operating cycles and low-level control^{C)}
- 2A = 2 connections, left power supply¹⁾ + right illuminated pushbutton for additional operating cycles and low-level control^{1) & C)}

Type of connection

- 1 = Square-type plug acc. to DIN 43650, industrial application
- 2 = M12 plug
- 3 = Bayonet plug, 4/2-pole, without plug, without cable
- 5 = Bayonet plug acc. to DIN 72585-1, 4/3-pole (V10-13, 7/3-pole with V20-23, H), only for mobile applicaiton
- 7 = Bayonet plug acc. to DIN 72585-1, 7/6-pole (V10-13, V20-23), only for mobile applicaiton

Connection outside of the pump

- 00 = without socket, without cable
- 01 = with socket, without cable¹⁾
- 10 = with socket, with 10 m cable¹⁾
- 11 = with socket, with 10 m cable ADR^{1) & A)}
- 14 = Bayonet socket with 10 m cable²⁾, 4/3-core, (V10-13, 7/3-core with V20-23) without low-level control, without illuminated pushbutton^{C)}
- 16 = Bayonet socket with 10 m cable³⁾, 7/6-core (V10-13, V20-23), with low-level control or with illuminated pushbutton^{C)}
- 17 = Bayonet socket with 10 m cable ADR^{2) & A)}, 4/3-core (V10-13, H)
- 70 = Bayonet socket with 6 m cable, 7/3-core for USA

Control p.c.b. 12V / 24 V

- V10-V13 = with adjustable pause and lubricating time^{1) 2) & 3)}
- H = for trailer or semitrailer^{1) & 2)}
- No indication = without control p.c.b.^{1) & 2)}

¹⁾ In conjunction with square-type plugs (type of connection 1)

²⁾ In conjunction with bayonet plugs (type of connection 5)

³⁾ In conjunction with bayonet plugs (type of connection 7)

^{A)} For transport of hazard materials

^{B)} C7 = Indication for pump elements to deliver chisel paste

^{C)} Low-level control for oil; connection between low-level control and control p.c.b. is not possible and therefore, is not taken into consideration

^{D)} For use at ambient conditions with a high degree of pollution or high dust concentration

Subject to modification

Identification Code – pump variants P 203 AC, with and without control p.c.b. V10-V13, V20-V23, H



6001a02

NOTE

Any pumps combinations other the noted standard pumps can be composed and ordered in accordance with the valid model identification code.

Code examples:

P203 - 2	X	N	- 1	K6 - AC - 1A	1.	01 - V10
P203 - 4	X	L	BO - 1	KR - AC - 2A	1.	01 - V12
P203 - 2	X	N	- 2	K5 - AC - 1A	1.	01
P203 - 8	X	L	BO - 1	K6 - AC - 2A	5.	14 - V11
P203 - 4	Y	L	BO - 1	K7 - AC - 1A	1.	01 - V20
P203 - 2	X	L	- 1	K6 - AC - 2A	7.	16 - V10

- P203 ²⁾

Basic pump model for grease or oil
with 1-3 outlets and 12 VDC or 24 VDC motor

Reservoir design

- 2 = 2 l transparent plastic reservoir
- 4 = 4 l transparent plastic reservoir
- 8 = 8 l transparent plastic reservoir
- 15 = 15 l transparent plastic reservoir

- X = Reservoir for grease
- Y = Reservoir for oil

- N = Standard design
- L = Low-level control

- no indication = standard reservoir (2 liters)
- BO = Filling from the top
- FL = Flat-type reservoir (only for 2 liters without low-level control, not for oil)

Pump elements

- 1-3 = Number of elements used
- K 5 = Piston diameter = 5 mm
- K 6 = Piston diameter = 6 mm
- K 7 = Piston diameter = 7 mm
- KR = Pump element, adjustable, Piston diameter = 7 mm
- B 7 = Piston diameter = 7 mm (output of K5) ^{A)}
- S 7 = Piston diameter = 7 mm (for greases containing silicone)

Supply voltage

- AC = 110-240 VAC ±10%, 50-60 Hz ±5% (with 24 VDC direct current motor)

Number of electric connecting possibilities

- 1A = 1 connection, left power supply ¹⁾
- 2A = 2 connections, left bottom power supply ¹⁾
 - either right only low-level control ¹⁾
 - or left top only low-level control ²⁾
 - or left top illuminated pushbutton for additional operating cycles and low-level control ³⁾

Type of connection

- 1 = Square-type plug acc to DIN 43650, industrial application
- 5 = Bayonet plug acc. to DIN 72585-1, 4/3-pole (V10-13, 7/3-pole with V20-23, H)
- 7 = Bayonet plug acc. to DIN 72585-1, 7/6-pole (V10-13, V20-23)

Connection outside of the pump

- 01 = with socket, without cable ¹⁾
- 14 = bayonet socket with 10 m cable ²⁾, 4/3-core, (V10-13, 7/3-core with V20-23) without low-level control, without illuminated pushbutton
- 16 = bayonet socket with 10 m cable ³⁾, 7/6-core (V10-13, V20-23), with low-level control or with illuminated pushbutton
- 70 = bayonet socket with 6 m cable, 7/3-core for USA

Control p.c.b. 12V / 24 V

- V10-V13 = with adjustable pause and lubricating time
- V20-V23 = with adjustable pause and lubricating time (US market)
- ohne Angabe = without control p.c.b.

¹⁾ In conjunction with square-type plugs (type of connection 1)
²⁾ In conjunction with bayonet plugs (type of connection 5)
³⁾ In conjunction with bayonet plugs (type of connection 7)
^{A)} For use at ambient conditions with a high degree of pollution or high dust concentration

Identification Code – pump variants P 203 DC, with control p.c.b. M08-M23



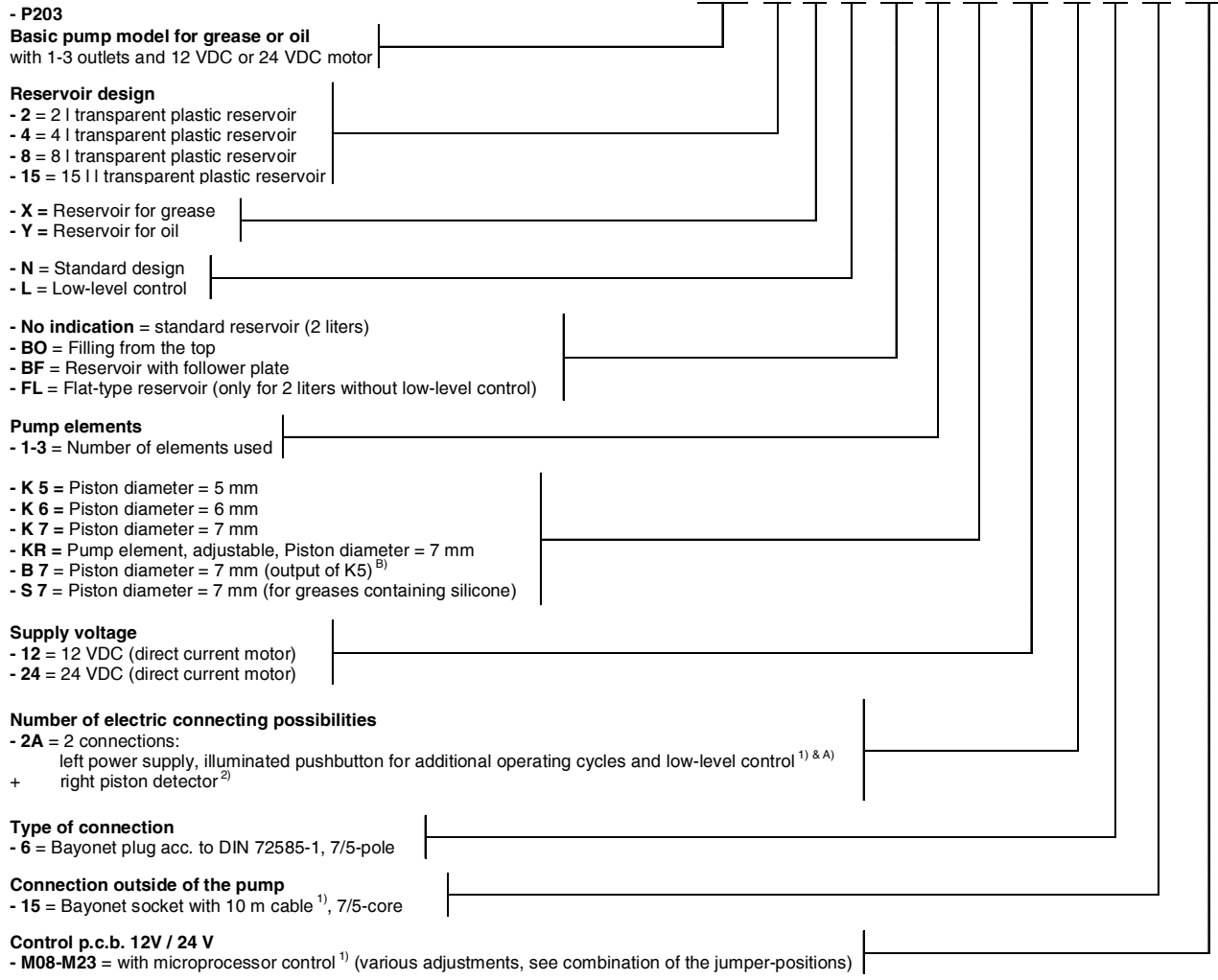
6001a02

NOTE

Any pumps combinations other the noted standard pumps can be composed and ordered in accordance with the valid model identification code.

Code examples:

P203 - 2	X	L	- 1	K6 - 24 - 2A	6.	15 - M10
P203 - 4	X	L - BO	- 1	KR - 24 - 2A	6.	15 - M12
P203 - 2	X	L	- 2	K5 - 12 - 2A	6.	15 - M12
P203 - 8	X	L - BO	- 1	K6 - 24 - 2A	6.	15 - M08
P203 - 4	Y	L - BO	- 1	K7 - 12 - 2A	6.	15 - M16
P203 - 2	X	L	- 1	K6 - 24 - 2A	6.	15 - M23



¹⁾ In conjunction with bayonet plugs (type of connection 6)
²⁾ Low-level control for oil; connection between low-level control and control p.c.b. is not possible and therefore, is not taken into consideration
^{A)} Piston detector, 4-pole
^{B)} For use at ambient conditions with a high degree of pollution or high dust concentration

Subject to modification

Identification Code – pump variants P 203 AC, with control p.c.b. M08-M23



6001a02

NOTE

Any pumps combinations other the noted standard pumps can be composed and ordered in accordance with the valid model identification code.

Code examples:

P203 - 2	X	L	- 1	K6 - AC - 3A	6.	15 - M08
P203 - 4	X	L - BO	- 1	KR - AC - 3A	6.	15 - M12
P203 - 2	X	L	- 2	K5 - AC - 3A	6.	15 - M23
P203 - 8	X	L - BO	- 1	K6 - AC - 3A	6.	15 - M09
P203 - 4	Y	L - BO	- 1	K7 - AC - 3A	6.	15 - M20
P203 - 2	X	L	- 1	K6 - AC - 3A	6.	15 - M10

- P203, P203 UL¹⁾

Basic pump model for grease or oil
with 1-3 outlets and 12 VDC or 24 VDC motor

Reservoir design

- 2 = 2 l transparent plastic reservoir
- 4 = 4 l transparent plastic reservoir
- 8 = 8 l transparent plastic reservoir
- 15 = 15 l transparent plastic reservoir

- X = Reservoir for grease
- Y = Reservoir for oil

- L = Low-level control

- No indication = standard reservoir (2 liters)

- BO = Filling from the top
- BF = Reservoir with follower plate
- FL = Flat-type reservoir (only for 2 liters without low-level control, not for oil)

Pump elements

- 1-3 = Number of elements used

- K 5 = Piston diameter = 5 mm
- K 6 = Piston diameter = 6 mm
- K 7 = Piston diameter = 7 mm
- KR = Pump element, adjustable, Piston diameter = 7 mm
- B 7 = Piston diameter = 7 mm (output of K5)^{A)}
- S 7 = Piston diameter = 7 mm (for greases containing silicone)

Supply voltage

- AC = 110-240 VAC ±10%, 50-60 Hz ±5% (with 24 VDC direct current motor)

Number of electric connecting possibilities

- 3A = 3 connections:
 - left bottom power supply²⁾
 - left top illuminated pushbutton for additional operating cycles and low-level control³⁾
 - + right piston detector³⁾

Type of connection

- 1 = Square-type plug acc. to DIN 43650, design A
- 6 = Bayonet plug acc. to DIN 72585-1¹⁾, 7/5-pole

Connection outside of the pump

- 15 = Bayonet socket with 10 m cable¹⁾, 7/5-core

Control p.c.b. 12V / 24 V

- M08-M23 = with microprocessor control¹⁾ (various adjustments, see combination of the jumper-positions)

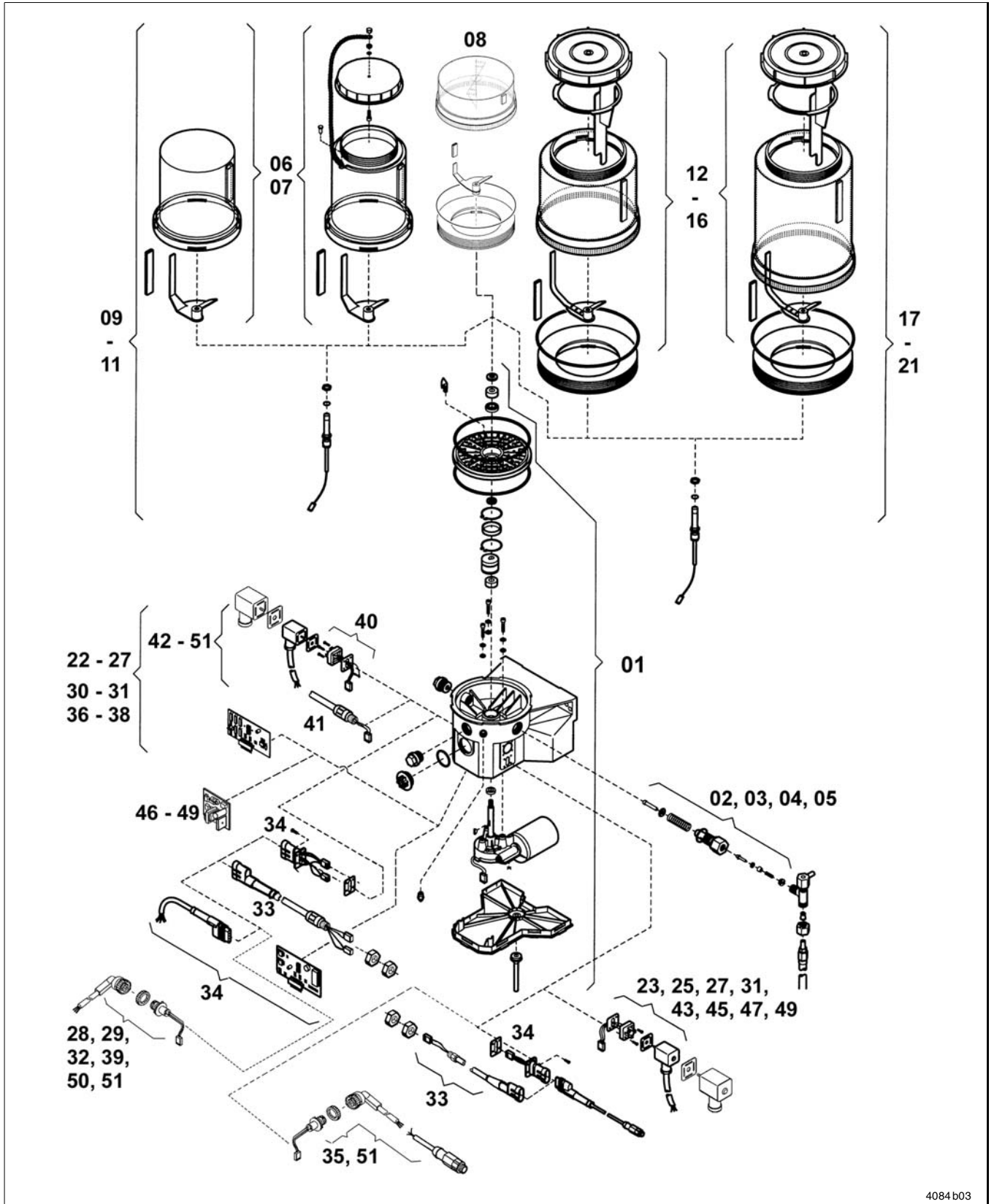
¹⁾ UL proved pumps 203 can be ordered for the North American market

²⁾ In conjunction with square-type plugs (type of connection 1)

³⁾ In conjunction with bayonet plugs (type of connection 6)

^{A)} For use at ambient conditions with a high degree of pollution or high dust concentration

Assemblies for pump model 203



4084 b03

Subject to modification

Fig. 2-1 Assemblies for pump model 203, filling from top and bottom

Assemblies for pump model, continuation

Item	Designation of assembly
01	<i>Lower part</i>
02	<i>Pump element K5</i>
03	<i>Pump element K6</i>
04	<i>Pump element K7, C7, S7</i>
05	<i>Pump element KR, B7, S7</i>
06	<i>Reservoir 2 XN</i>
07	<i>Reservoir 2 XNBO (2YNBO)</i>
08	<i>Reservoir 2 XNFL</i>
09	<i>Reservoir 2 XL</i>
10	<i>Reservoir 2 XLBO</i>
11	<i>Reservoir 2 YLBO</i>
12	<i>Reservoir 4 XN</i>
13	<i>Reservoir 4 XNBO (4YNBO)</i>
14	<i>Reservoir 4 XL</i>
15	<i>Reservoir 4 XLBO</i>
16	<i>Reservoir 4 YLBO</i>
17	<i>Reservoir 8 XN</i>
18	<i>Reservoir 8 XNBO (8YNBO)</i>
19	<i>Reservoir 8 XL</i>
20	<i>Reservoir 8 XLBO</i>
21	<i>Reservoir 8 YLBO</i>
22	<i>Type of connection and control 1A1. 00 - V10 - V13</i>
23	<i>Type of connection and control 2A1. 00 - V10 - V13</i>
24	<i>Type of connection and control 1A1. 01 - V10 - V13</i>
25	<i>Type of connection and control 2A1. 01 - V10 - V13</i>
26	<i>Type of connection and control 1A1. 10 - V10 - V13</i>
27	<i>Type of connection and control 2A1. 10 - V10 - V13</i>
28	<i>Type of connection and control 1A5. 14 - V10 - V13</i>
29	<i>Type of connection and control 1A7. 16 - V10 - V13</i>
30	<i>Type of connection and control 1A1. 11 - V10 - V13 - ADR</i>
31	<i>Type of connection and control 2A1. 11 - V10 - V13 - ADR</i>
32	<i>Type of connection and control 1A5. 17 - V10 - V13 - ADR</i>
33	<i>Type of connection and control 2A9. 13 - M08 - M23</i> (available only as spare part)
34	<i>Type of connection and control 2A4.13 - M08 - M23</i> (available only as spare part)
35	<i>Type of connection and control 2A6. 15 - M08 - M23</i>
36	<i>Type of connection and control 1A1. 10 - H</i>
37	<i>Type of connection and control 1A5. 14 - H</i>
38	<i>Type of connection and control 1A1. 11 - H - ADR</i>
39	<i>Type of connection and control 1A5. 17 - H - ADR</i>
40	<i>Type of connection without control p.c.b. 1A1. 00</i>
41	<i>Type of connection without control p.c.b. 1A8. 00</i>
42	<i>Type of connection without control p.c.b. 1A1. 01</i>
43	<i>Type of connection without control p.c.b. 2A1. 01</i>
44	<i>Type of connection without control p.c.b. 1A1. 10</i>
45	<i>Type of connection without control p.c.b. 2A1. 10</i>
46	<i>Type of connection without control p.c.b. AC - 1A1. 01</i>
47	<i>Type of connection without control p.c.b. AC - 2A1. 01</i>
48	<i>Type of connection and control AC - 1A1. 01 - V10 - V13</i>
49	<i>Type of connection and control AC - 2A1. 01 - V10 - V13</i>
50	<i>Type of connection and control AC - 2A7. 16 - V10 - V13</i>
51	<i>Type of connection and control AC - 3A6. 15 - M08 - M23</i>

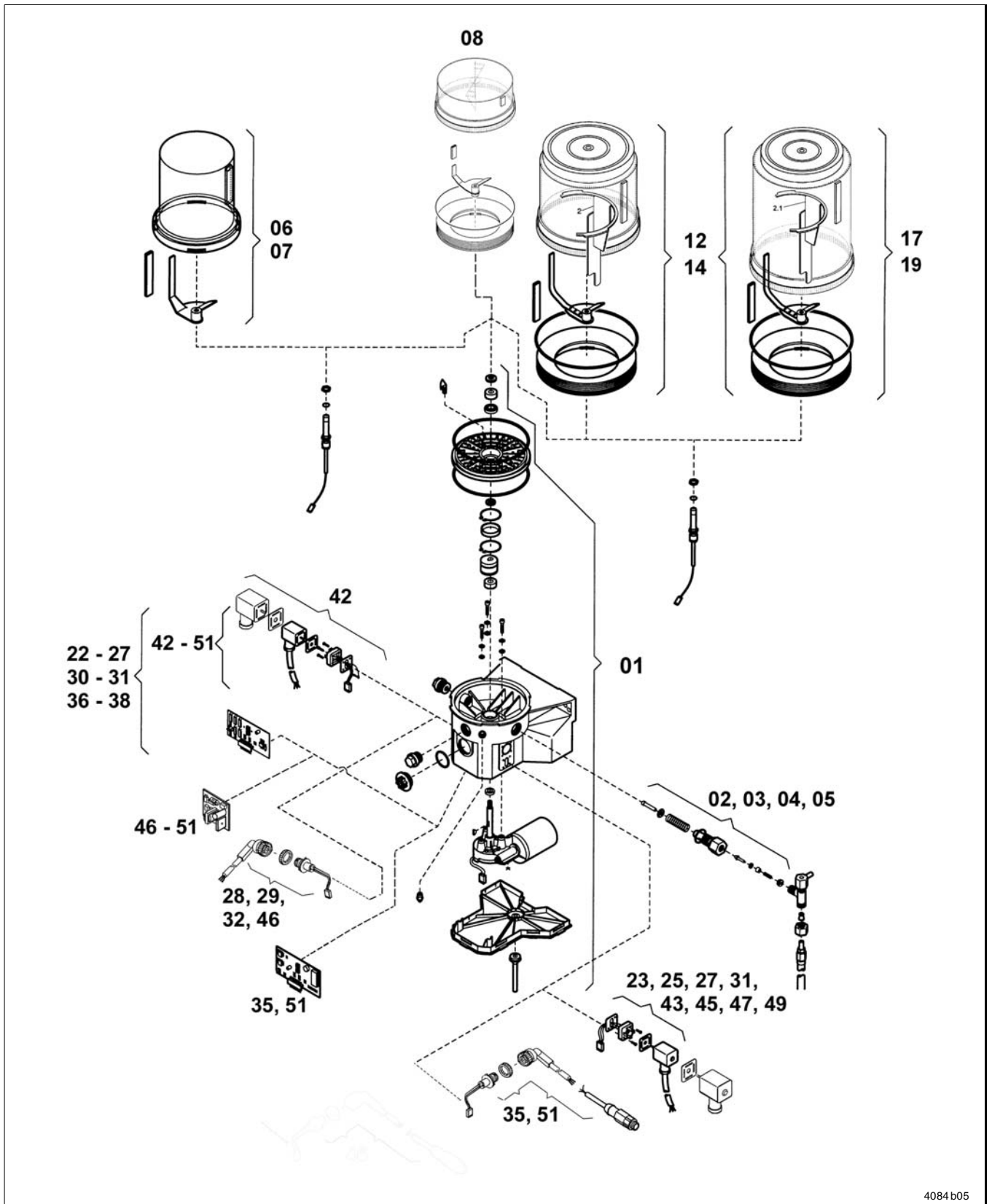


6001a02

NOTE

The assemblies are to be used **only for the calculation of the sales price**. The item numbers are identical with those of the price list.

Assemblies for pump model 203, continuation



Subject to modification

4084 b05

Fig. 2-2 Assemblies for pump model 203, filling from bottom

Assemblies for pump model, continuation

Item	Designation of assembly
01	Lower part
02	Pump element K5
03	Pump element K6
04	Pump element K7, C7, S7
05	Pump element KR, B7, S7
06	Reservoir 2 XN
07	Reservoir 2 XL
12	Reservoir 4 XN
14	Reservoir 4 XL
17	Reservoir 8 XN
19	Reservoir 8 XL
22	Type of connection and control 1A1. 00 - V10 - V13
23	Type of connection and control 2A1. 00 - V10 - V13
24	Type of connection and control 1A1. 01 - V10 - V13
25	Type of connection and control 2A1. 01 - V10 - V13
26	Type of connection and control 1A1. 10 - V10 - V13
27	Type of connection and control 2A1. 10 - V10 - V13
28	Type of connection and control 1A5. 14 - V10 - V13
29	Type of connection and control 1A7. 16 - V10 - V13
30	Type of connection and control 1A1. 11 - V10 - V13 - ADR
31	Type of connection and control 2A1. 11 - V10 - V13 - ADR
32	Type of connection and control 1A5. 17 - V10 - V13 - ADR
35	Type of connection and control 2A6. 15 - M08 - M23
36	Type of connection and control 1A1. 10 - H
37	Type of connection and control 1A5. 14 - H
38	Type of connection and control 1A1. 11 - H - ADR
39	Type of connection and control 1A5. 17 - H - ADR
42	Type of connection without control p.c.b. 1A1. 01
43	Type of connection without control p.c.b. 2A1. 01
44	Type of connection without control p.c.b. 1A1. 10
45	Type of connection without control p.c.b. 2A1. 10
46	Type of connection without control p.c.b. AC - 1A1. 01
47	Type of connection without control p.c.b. AC - 2A1. 01
48	Type of connection and control AC - 1A1. 01 - V10 - V13
49	Type of connection and control AC - 2A1. 01 - V10 - V13
50	Type of connection and control AC - 2A7. 16 - V10 - V13
51	Type of connection and control AC - 3A6. 15 - M08 - M23



60 01a02

NOTE

The assemblies are to be used **only for the calculation of the sales price**. The item numbers are identical with those of the price list.

Electrical Central Lubrication Pump Model 223/233: 2L, 4L and 8L



Fig. 3-1 Assortment of electrical central lubrication pumps 223/233

The following parts belong to the scope of delivery of the pumps 223/233:

- **Pump bottom**, with motor 12 or 24 VDC and magnetic switch for low-level control and membrane keypad
- **Reservoir** (2, 4, 8 - liters), with grease filling 0.75 kg (for 2 l reservoir), 1.5 kg (for 4- and 8-l reservoir) with low-level control
- **Pump element(s)**: 1 - 3 pump elements can be used
The following models are available:
 - for grease or oil supply with fixed lubricant output (K...)
 - Piston Ø 5 mm; 2 cm³/min
 - Piston Ø 6 mm; 2.8 cm³/min
 - Piston Ø 7 mm; 4 cm³/min
 - for grease supply with fixed lubricant output (B7) and bypass, check valve, piston Ø 7 mm, 2 mm³/min
 - for grease supply with adjustable lubricant output (KR)
 - piston Ø 7 mm; 0.7 cm³ - 3 cm³/min
- **Control printed circuit board**, for 12/24 VDC
 - The following models are available:
 - MDF00 (P233), MF00 (P223)
- **Electrical connections**: see identification code
Type of connection: 2A6.15
- **Control p.c.b. MDF00 and MF00 with low-level control**
 - 1 bayonet plug with 10 m cable, 7-core
 - 1 bayonet plug for 1 piston detector

• **Accessories:**

- *Pressure relief valve* - must be ordered separately (versions see Fig. 19-1 ff)
Fixing screws with *accessories*, drilling template and operating instructions
- *Low-level control* – parts are located in the lower part of the pump and in the reservoir
- *Power supply unit* – for connection to 230 VAC (if available), located in lower part of pump



6001a02

IMPORTANT

The listed pump part numbers on the following pages represent only an excerpt of the standard pump program.

Special pumps or customized pumps are not listed, however, may be included by chance.

Pump P 223 DC with control p.c.b. MF01/02

Reservoir for grease without low-level control; 10 m connecting cable

2 Litre	Model 24 VDC P223-2XN-1K6-24-2A6.15-MF01.....	Part no. 644-46172-3
2 Litre, with reservoir lid	Model 24 VDC P223-2XLBO-1K6-24-2A6.15-MF01	Part no. 644-40864-3

Pump P 233 DC with control p.c.b. MDF01

Reservoir for grease with low-level control; 10 m connecting cable

2 Litre	Model 24 VDC P233-2XL-1K6-24-2A6.15-MDF01..... P233-2XL-1K6-24-2A6.15-MDF01.....	Part no. 644-40824-1 644-40824-4
2 Litre, with reservoir lid	Model 24 VDC P233-2XLBO-1K6-24-2A6.15-MDF01	Part no. 644-40824-2
4 Litre, with reservoir lid	Model 12 VDC P233-4XLBO-1K6-12-2A6.15-MDF01.....	Part no. 644-46187-2
	Model 24 VDC P233-4XLBO-1K6-24-2A6.15-MDF01..... ... with follower plate P233-4XBF-1K6-24-2A6.15-MDF01	Part no. 644-40826-2 644-40825-2
8 Litre, with reservoir lid	Model 12 VDC P233-8XLBO-1K6-12-2A6.15-MDF01.....	Part no. 644-46187-3
	Model 24 VDC P233-8XBF-1K6-24-2A6.15-MDF01	Part no. 644-40827-7

Pump P 233 AC with control p.c.b. MDF01

Reservoir for grease with low-level control; 10 m connecting cable

4 Litre, with reservoir lid	Model 230 VAC P233-2XLBO-1KR-AC-3A6.15-MDF01	Part no. 644-40824-5
8 Litre, with reservoir lid	Model 230 VAC P233-8XLBO-1K6-AC-3A6.15-MDF01	Part no. 644-40867-1

Identification Code – DC Pump Models P223 & P233 with control p.c.b. MF01 and MDF01



6001a02

NOTE

Any pump combinations other than the following standard pumps can be composed and ordered in accordance with the valid model identification code.

Model examples:

P223	- 2	- X	L	-	1	K6	- 24	- 2A	6.	15	- MF01
P233	- 4	- X	L	BO	- 1	KR	- 24	- 2A	6.	15	- MDF01
P223	- 2	- X	L	-	2	K5	- 12	- 2A	6.	15	- MF01
P223	- 8	- X	L	BO	- 1	K7	- 24	- 2A	6.	15	- MF01
P233	- 2	- X	L	-	1	K6	- 24	- 2A	6.	15	- MDF01

Basic pump model for grease

with 1-3 outlets and 12 VDC or 24 VDC motor

P223 = Pump without Datalogger

P233 = Pump with Datalogger

Reservoir size

- 2 = 2 litre transparent plastic reservoir
- 4 = 4 litre transparent plastic reservoir
- 8 = 8 litre transparent plastic reservoir
- 15 = 15 litre transparent plastic reservoir

Reservoir design:

Available combinations	Decoding																		
<table border="0" style="width: 100%;"> <tr> <td style="width: 33%;">I</td> <td style="width: 33%;">II</td> <td style="width: 33%;">III</td> </tr> <tr> <td>- X N</td> <td>- X N BO</td> <td>- X L</td> </tr> <tr> <td>- X L BO</td> <td>- X L F¹⁾</td> <td>- X B F¹⁾</td> </tr> <tr> <td>- Y N BO</td> <td>- Y L BO</td> <td></td> </tr> </table>	I	II	III	- X N	- X N BO	- X L	- X L BO	- X L F ¹⁾	- X B F ¹⁾	- Y N BO	- Y L BO		<table border="0" style="width: 100%;"> <tr> <td style="width: 33%;">I</td> <td style="width: 33%;">II</td> <td style="width: 33%;">III</td> </tr> <tr> <td>X = Reservoir for grease Y = Reservoir for oil</td> <td>N = without low-level control L = with low-level control B = with high- and low-level control</td> <td>[...] = Standard reservoir (2 litre) BO = Filling from top F¹⁾ = Reservoir with follower plate</td> </tr> </table>	I	II	III	X = Reservoir for grease Y = Reservoir for oil	N = without low-level control L = with low-level control B = with high- and low-level control	[...] = Standard reservoir (2 litre) BO = Filling from top F ¹⁾ = Reservoir with follower plate
I	II	III																	
- X N	- X N BO	- X L																	
- X L BO	- X L F ¹⁾	- X B F ¹⁾																	
- Y N BO	- Y L BO																		
I	II	III																	
X = Reservoir for grease Y = Reservoir for oil	N = without low-level control L = with low-level control B = with high- and low-level control	[...] = Standard reservoir (2 litre) BO = Filling from top F ¹⁾ = Reservoir with follower plate																	

¹⁾ The high- and low-level control cannot be combined with the integrated control p.c.b.

Pump elements

1-3 = Number of the use elements

- K 5** = Piston diameter = 5 mm, output 2,0 cm³/min
- K 6** = Piston diameter = 6 mm, output 2,8 cm³/min
- K 7** = Piston diameter = 7 mm, output 4,0 cm³/min
- KR** = Piston diameter = 7 mm, output adjustable
- B7** ²⁾ = Piston diameter = 7 mm, output 2,0 cm³/min
- S7** ³⁾ = Piston diameter = 7 mm, output 4,0 cm³/min

²⁾ For use at ambient conditions with a high degree of pollution or high dust concentration

³⁾ for greases containing silicone

Connecting voltage

- 12** = for 12 VDC motor
- 24** = for 24 VDC motor

Number of electric connecting possibilities (on pump housing only)

2A = 2 connections:

- left for power supply and external illuminated pushbutton (operational .. test & additional lubrication), Low-level control and fault indication
- right for piston detector (monitoring of the metering devices)

Type of connection ⁴⁾

6 = Bayonet plug, 7/5-core, DIN 72585-1

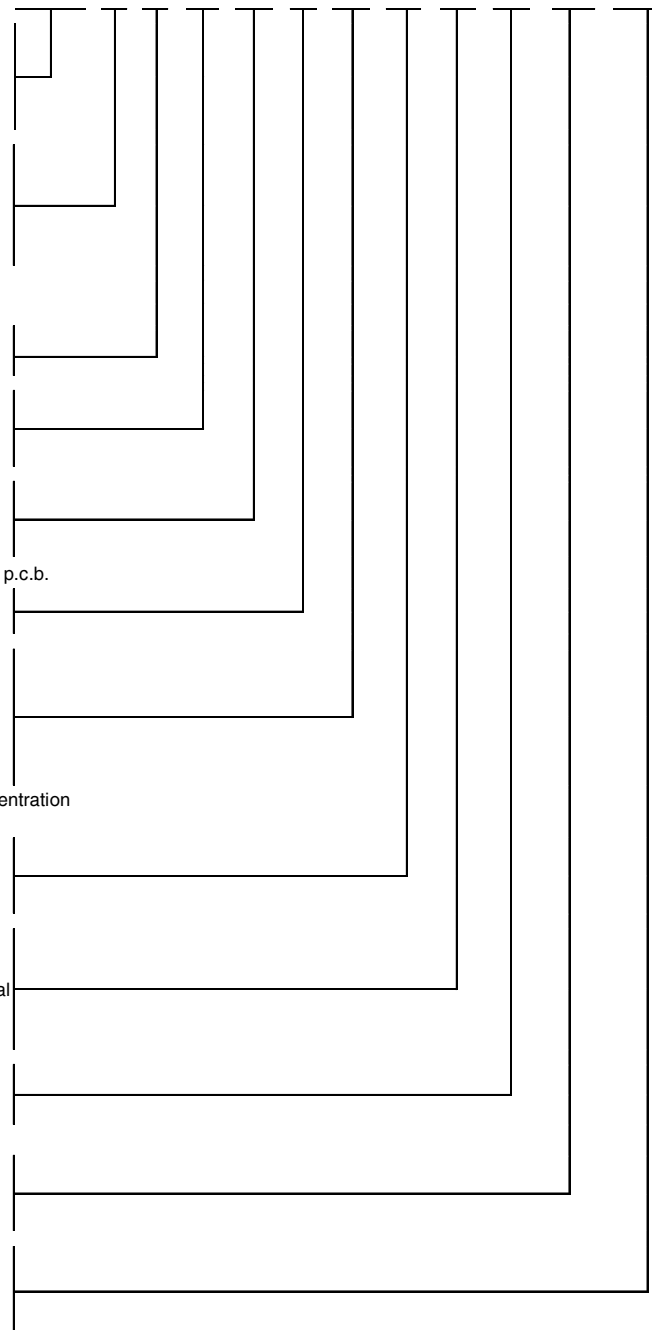
⁴⁾ other types of connection on request possible

Connection outside the pump

- 00** = without socket-outlet, without cable
- 15** = Bayonet socket with 10 m cable, 7/5-wire

Control p.c.b. 12V / 24 V

- MF01** = with microprocessor control and membrane key pad
- MDF01** = with microprocessor control, Datalogger and membrane key pad



Identification Code – AC Pump Models P223 & P233 with control p.c.b. MF01 and MDF01



6001a02

NOTE

Any pump combinations other than the following standard pumps can be composed and ordered in accordance with the valid model identification code.

Code examples:

```

P223 - 2 - X L - 1 K6 - AC - 3A 6. 15 - MF01
P233 - 4 - X L BO - 1 KR - AC - 3A 6. 15 - MDF01
P223 - 2 - X L - 2 K5 - AC - 3A 6. 15 - MF01
P223 - 8 - X L BO - 1 K7 - AC - 3A 6. 15 - MF01
P233 - 2 - X L - 1 K6 - AC - 3A 6. 15 - MDF01
    
```

Basic pump model for grease
with 1-3 outlets and 12 VDC or 24 VDC motor
P223 = Pump without Datalogger
P233 = Pump with Datalogger

Reservoir size
2 = 2 litre transparent plastic reservoir
4 = 4 litre transparent plastic reservoir
8 = 8 litre transparent plastic reservoir
15 = 15 litre transparent plastic reservoir

Reservoir design:

Available combinations	Decoding
I II III	I X = Reservoir for grease Y = Reservoir for oil
- X N - X N BO - X L - X L BO - X L F ¹⁾ - X B F ¹⁾	II N = without low-level control L = with low-level control B = with high- and low-level control
- Y N BO - Y L BO	III [...] = Standard reservoir (2 litre) BO = Filling from top F ¹⁾ = Reservoir with follower plate

¹⁾ The high- and low-level control cannot be combined with the integrated control p.c.b.

Pump elements

1-3 = Number of the use elements

K 5 = Piston diameter = 5 mm, output 2,0 cm³/min
K 6 = Piston diameter = 6 mm, output 2,8 cm³/min
K 7 = Piston diameter = 7 mm, output 4,0 cm³/min
KR = Piston diameter = 7 mm, output adjustable
B7 = ²⁾ Piston diameter = 7 mm, output 2,0 cm³/min
S7 = ³⁾ Piston diameter = 7 mm, output 4,0 cm³/min

²⁾ For use at ambient conditions with a high degree of pollution or high dust concentration

³⁾ for greases containing silicone

Connecting voltage

AC = 110-240 VAC ± 10%, 50-60 Hz ± 5% (with 24 VDC direct current motor)

Number of electric connecting possibilities (on pump housing only)

3A = 3 connections:

- power supply (only square-type plug) left, bottom ⁴⁾
- external illuminated pushbutton and low level control (bayonet plug 7/5) left, top ⁵⁾
- piston detector (bayonet plug 4/4) right, top ⁵⁾

⁴⁾ Type of connection 1: Square-type plug

⁵⁾ Type of connection 6: Bayonet plug

Type of connection ⁶⁾

1 = Square-type plug, DIN 43650 Design A
6 = Bayonet plug, 7/5-core, DIN 72585-1

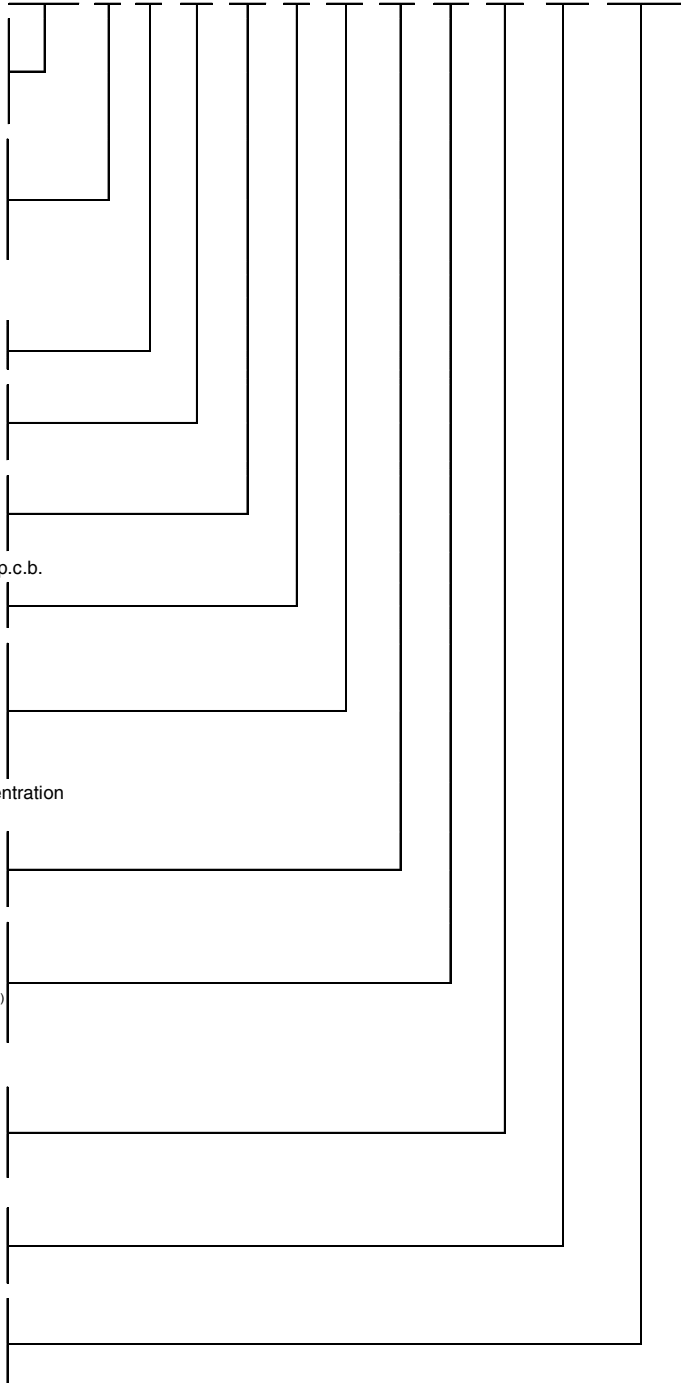
⁶⁾ other types of connection on request possible

Connection outside the pump

00 = without socket-outlet, without cable
15 = Bayonet socket with 10 m cable, 7/5-wire

Control p.c.b. 12V / 24 V

MF01 = with microprocessor control and membrane key pad
MDF01 = with microprocessor control, Datalogger and membrane key pad



Subject to modification

Hand-Operated Central Lubrication Pumps

Models HP, HPG, HPGO



Fig. 4-1 Pump HP 15

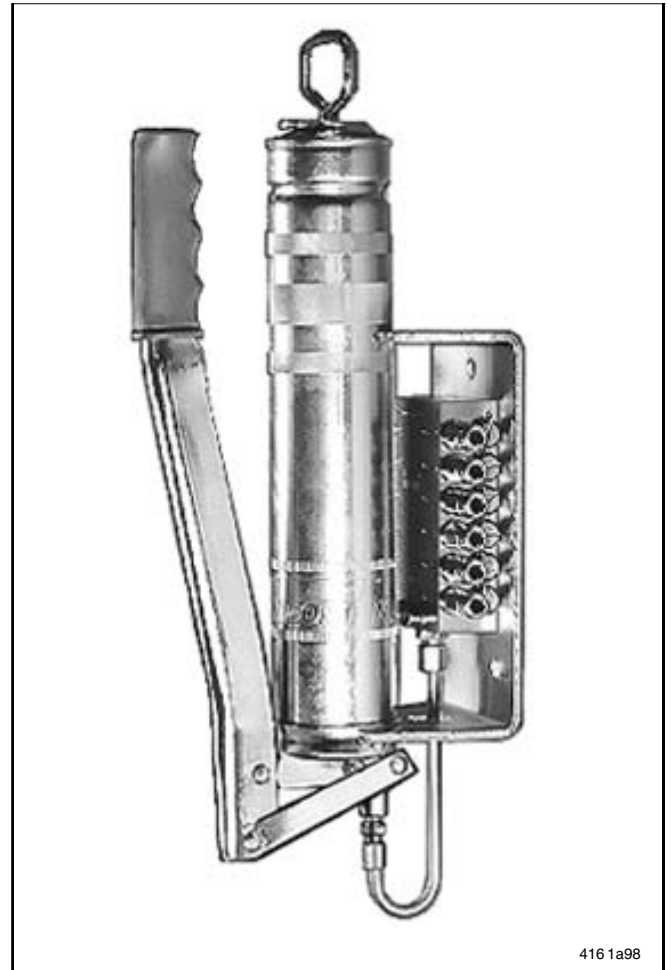


Fig. 4-2 Pump HP G15

Reservoir capacity 400 ccm

Model designation
HP 500 W

Part no.
244-14164-1

Reservoir capacity 400 ccm

Number of outlets

Model designation	Part no.
HP 500 W-SSV6	604-28766-1
HP 500 W-SSV8	604-28767-1
HP 500 W-SSV10	604-28768-1
HP 500 W-SSV12	604-28769-1

6
8
10
12

Identification Code

HP 500 W = manual pump; 500 ccm with wall bracket
HPG 500 W = manual pump; 500 ccm with metering device (G) and wall bracket

Hand-Operated Central Lubrication Pumps, continuation

Models HP, HPG



Fig. 4-3 Pump HP 15

Pump with one outlet, for grease

Reservoir capacity 1500 ccm

Model designation
HP 15

Part no.
604-25103-1



Fig. 4-4 Pump HPG 15

Pump with basic body "G", for grease

Reservoir capacity 1500 ccm

Model designation
HPG 15

Part no.
604-25109-2

Identification Code

HP 15 = manual pump; 1500 ccm
HPG 15 = manual pump; 1500 ccm with SSV 8 basic body (G)

Pneumatically Operated Central Lubrication Pumps

Models PP, PPG



Fig. 5-1 Pump PP 15

Pump with one outlet, for grease

Reservoir capacity 1500 ccm

Model designation
PP 15

Part no.
604-25105-2



Fig. 5-2 Pump PPG 15

Pump with basic body "G", for grease

Reservoir capacity 1500 ccm

Model designation
PPG 15

Part no.
604-25111-3

Identification Code

PP 15 = pneumatically operated pump; 1500 ccm
PPG 15 = pneumatically operated pump; 1500 ccm with SSV 8 basic body (G)

Identification Code – Progressive Metering Device SSV M

Examples:

Divider	SSVM	6	-	KA
Divider	SSVM	6	-	K - A
Divider	SSVM	8	-	KS
Divider	SSVM	12		
Divider	SSVM	10	-	KN
Divider	SSVM	8	-	KS
Divider	SSVM	6	-	KN
Divider	SSVM	10	-	KS
Divider	SSVM	12	-	KN

Series

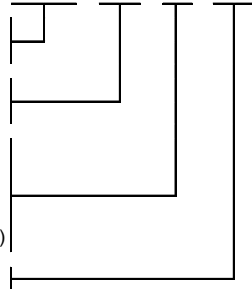
- SSVM = Lubricant metering device

Number of outlets

- 6-12

Monitoring

- K = with indicator pin
- KS = with indicator pin and limit switch
- KN = with indicator pin and proximity switch
- KA = with indicator pin and adapter (proximity switch by customer)
- A = USA design



Progressive Metering Devices SSV, SSV M, SSV D & Connecting Elements

Progressive Metering Device SSV (Standard Version)

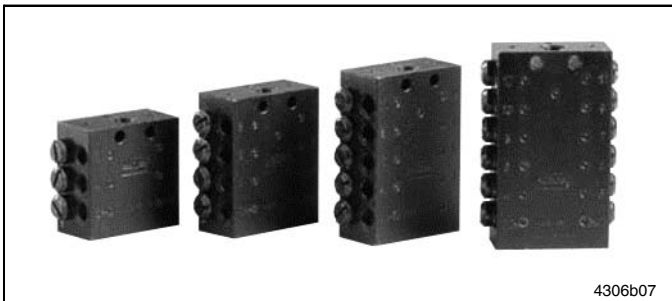


Fig. 6-1 Assortment progressive metering devices SSV (standard version)

Model	Fixing \varnothing in mm	Part no.
SSV 6	6,4	619-26473-1
SSV 8	6,4	619-25730-2
SSV 10	6,4	619-26841-1
SSV 12	6,4	619-25731-2
SSV 14	6,4	619-28862-1
SSV 16	6,4	619-28863-1
SSV 18	6,4	619-28864-1
SSV 20	6,4	619-28865-1
SSV 22	6,4	619-28866-1
Piston closure plug M11 x 1		303-19716-1



Fig. 6-2 Bracket

Bracket, assy. with attaching material

Dimension	Application	Part no.
60 x 25 x 25	as of SSV 14	519-34271-1

Progressive Metering Devices SSV, SSV M, SSV D & Connecting Elements continuation

Progressive metering device SSV (high-grade steel 1.4305) V2 A

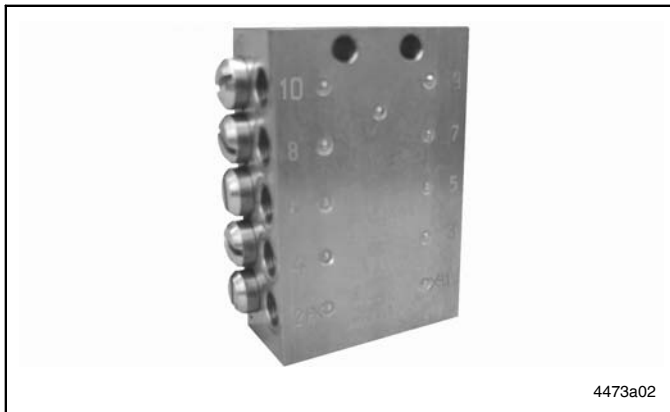


Fig. 6-3 Progressive metering device SSV (high-grade steel 1.4305) V2 A

Model	Fixing- \varnothing in mm	Part no.
SSV 6	6.4	619-27471-1
SSV 8	6.4	619-27473-1
SSV 10	6.4	619-27475-1
SSV 12	6.4	619-27477-1
SSV 14	6.4	619-29063-1
SSV 16	6.4	619-29064-1
SSV 18	6.4	619-29065-1
SSV 20	6.4	619-29066-1

Progressive metering device SSV (high-grade steel 1.4571) V4 A

Model	Fixing- \varnothing in mm	Part no.
SSV 6	6.4	619-27824-1
SSV 8	6.4	619-27825-1
SSV 10	6.4	619-27889-1
SSV 12	6.4	619-27900-1

Progressive metering device SSV with indicator pin (standard version)

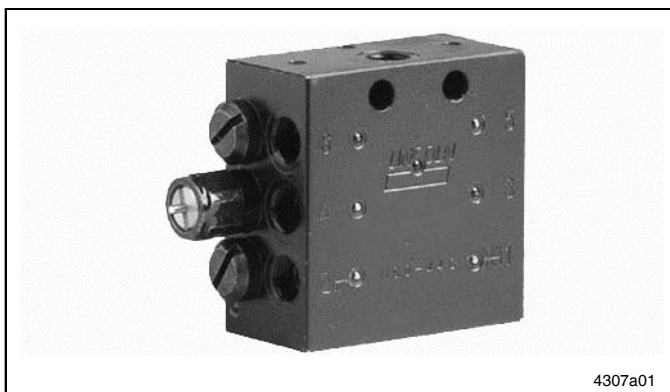


Fig. 6-4 Progressive metering device SSV with indicator pin (standard version)

Model	Fixing- \varnothing in mm	Part no.
SSV 6-K	6.4	619-26474-3
SSV 8-K	6.4	619-25754-4
SSV 10-K	6.4	619-26842-2
SSV 12-K	6.4	619-25755-4
SSV 14-K	6.4	619-28871-1
SSV 16-K	6.4	619-28872-1
SSV 18-K	6.4	619-28873-1
SSV 20-K	6.4	619-28874-1
SSV 22-K	6.4	619-28875-1

Progressive Metering Devices SSV, SSV M, SSV D & Connecting Elements continuation

Progressive metering device SSV with indicator pin ¹⁾

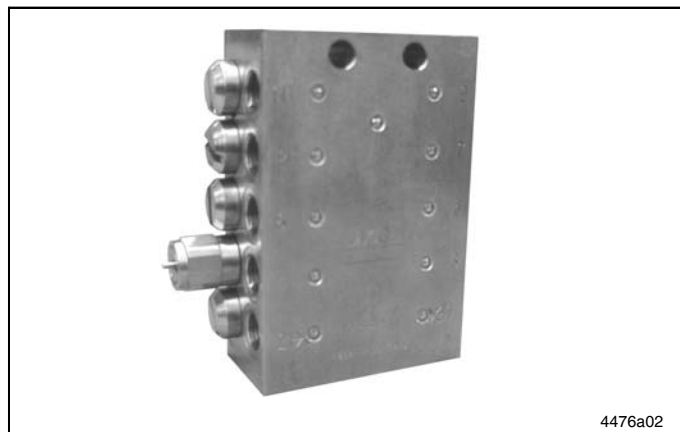


Fig. 6-5 Progressive metering device SSV with indicator pin (high-grade steel 1.4305)

Model	Fixing-Ø in mm	Part no.
SSV 6-K	6.4	619-27472-1
SSV 8-K	6.4	619-27474-1
SSV 10-K	6.4	619-27476-1
SSV 12-K	6.4	619-27478-1
SSV 14-K	6.4	619-29067-1
SSV 16-K	6.4	619-29068-1
SSV 18-K	6.4	619-29069-1
SSV 20-K	6.4	619-29074-1

¹⁾ high-grade steel 1.4305

Progressive metering device SSV with indicator pin and mounted limit switch ²⁾

²⁾ Switch with 1 m cable: part no. 236-13281-2

Model	Fixing-Ø in mm	Part no.
SSV 6-KS	6.4	619-27074-1
SSV 8-KS	6.4	619-27070-1
SSV 10-KS	6.4	619-27069-1
SSV 12-KS	6.4	619-27068-1
SSV 16-KS	6.4	619-28906-1
SSV 18-KS	6.4	619-28958-1
SSV 20-KS	6.4	619-28936-1

Progressive metering device SSV with indicator pin and mounted proximity switch ³⁾

³⁾ Proximity switch: PNP part no. 234-10812-8
NPN part no. 234-13134-5

Model	Fixing-Ø in mm	Part no.	Switching mode
SSV 6-KN	6.4	619-27613-1	PNP
SSV 8-KN	6.4	619-27614-1	PNP
SSV 10-KN	6.4	619-27615-1	PNP
SSV 12-KN	6.4	619-27616-1	PNP
SSV 14-KN	6.4	619-29028-1	PNP
SSV 16-KN	6.4	619-28905-1	PNP
SSV 18-KN	6.4	619-28959-1	PNP
SSV 20-KN	6.4	619-28934-1	PNP
SSV 6-KN	6.4	619-27953-1	NPN
SSV 8-KN	6.4	619-27918-1	NPN
SSV 10-KN	6.4	619-27961-1	NPN
SSV 12-KN	6.4	619-27962-1	NPN



6001a02

NOTE

The mentioned metering devices are equipped with proximity switches. Other proximity switches are available on request.

Progressive metering device SSV with indicator pin and mounted proximity switch ⁴⁾

⁴⁾ high-grade steel 1.4305

Model	Fixing-Ø in mm	Part no.	Switching mode
SSV 6-KN (VA)	6,4	619-27633-1	PNP
SSV 8-KN (VA)	6,4	619-27634-1	PNP
SSV 10-KN (VA)	6,4	619-27635-1	PNP
SSV 12-KN (VA)	6,4	619-27636-1	PNP

Progressive Metering Devices SSV, SSV M, SSV D & Connecting Elements continuation

Progressive metering device SSV with integrated piston detector for electric monitoring, without connecting plug

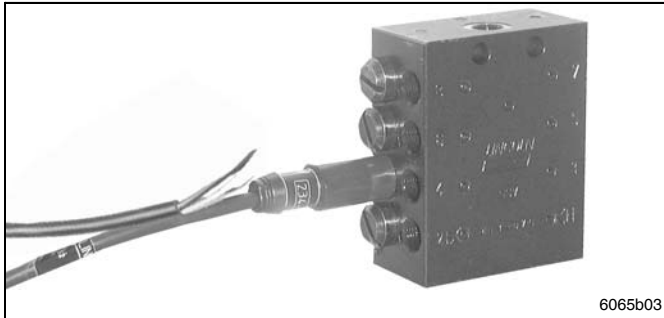


Fig. 6-6 Progressive metering device SSV with integrated piston detector for electric monitoring, without connecting plug

Model	Fixing-Ø in mm	Part no.
SSV 6-N	6.4	619-28257-1
SSV 8-N	6.4	619-28258-1
SSV 10-N	6.4	619-28259-1
SSV 12-N	6.4	619-28260-1
SSV 14-N	6.4	619-28890-1
SSV 16-N	6.4	619-28907-1
SSV 18-N	6.4	619-28957-1
SSV 20-N	6.4	619-28935-1
SSV 22-N	6.4	619-29015-1

Mounted piston detector part no. 519-34271-2
standard cable length 3.0 m.

Progressive metering device SSV with integrated piston detector for electric monitoring, with AMP connecting plug (only as spare part)

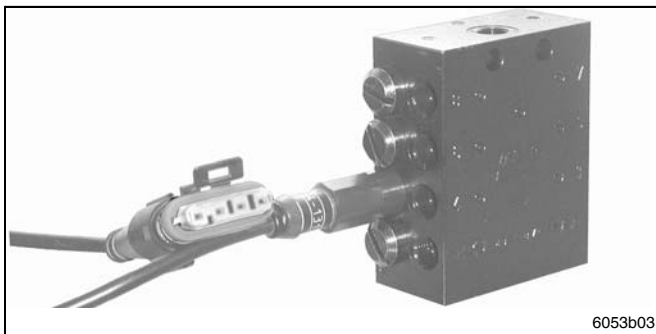


Fig. 6-7 Progressive metering device SSV with integrated piston detector for electric monitoring, with AMP connecting plug

Model	Fixing-Ø in mm	Part no.
SSV 6-N	6.4	619-28521-1
SSV 8-N	6.4	619-28746-1
SSV 10-N	6.4	619-28747-1
SSV 18-N	6.4	619-29108-1

Progressive metering device SSV with integrated piston detector for electric monitoring, with bayonet plug (Euro plug) for P203, P223 and P233

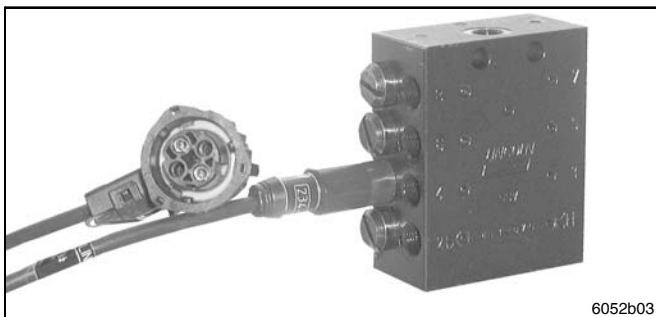


Fig. 6-8 Progressive metering device SSV with integrated piston detector for electric monitoring, with bayonet plug (Euro plug)

Model	Fixing-Ø in mm	Part no.
SSV 6-NE	6.4	619-29155-1
SSV 8-NE	6.4	619-29144-1
SSV 10-NE	6.4	619-29145-1
SSV 12-NE	6.4	619-29146-1

Mounted piston detector part no. 519-34339-3
standard cable length 3.0 m.

Progressive Metering Devices SSV, SSV M, SSV D & Connecting Elements continuation

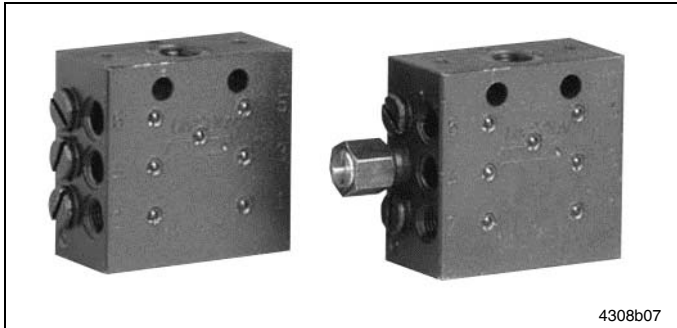


Fig. 6-9 Progressive metering device SSV M



6001a02

NOTE

Metering devices SSV M are not available as high grade steel model!

Progressive metering device SSV M

Model	Fixing- \varnothing in mm	Part no.
SSV M 6	5.5	619-26761-1
SSV M 6-K	5.5	619-26762-3
SSV M 8	5.5	619-37044-1
SSV M 8-K	5.5	619-37045-3
SSV M 10	5.5	619-26846-1
SSV M 10-K	5.5	619-26847-2
SSV M 12	5.5	619-37049-1
SSV M 12-K	5.5	619-37050-3

OLD:

Outlet closure screw M8 x 1 x 5C 303-17530-1
Copper sealing ring \varnothing 8 x 10 x 1 209-12464-7

NEW:

Outlet closure screw with sealing edge M8 x 1 x 5C 303-16284-1

Progressive metering device SSV D

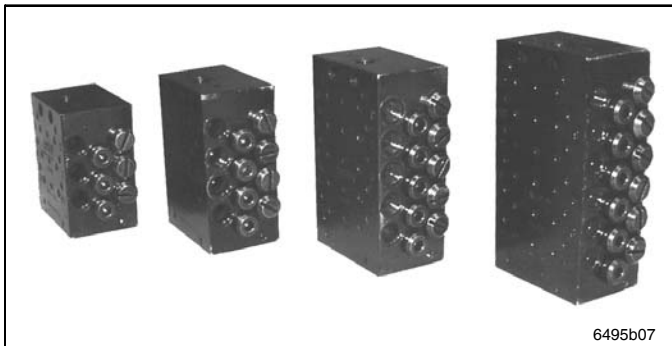


Fig. 6-10 Progressive metering device SSV D with metering screws



6001a02

NOTE

*Bypass bore:
Outlet bores 1 and 2 are connected with each other internally.*

Standard

Model	Fixing- \varnothing in mm	Part no.
SSV D 6	6.6	649-29485-1
SSV D 8	6.6	649-29486-1
SSV D 10	6.6	649-29487-1
SSV D 12	6.6	649-29488-1
SSV D 14	6.6	649-29489-1
SSV D 16	6.6	649-29587-1
SSV D 18	6.6	649-29588-1
SSV D 20	6.6	649-29589-1
SSV D 22	6.6	649-29590-1

With bypass bore

Model	Fixing- \varnothing in mm	Part no.
SSV D 6/5 - V1	6.6	649-29490-1
SSV D 8/7 - V1	6.6	649-29491-1
SSV D 10/9 - V1	6.6	649-29492-1
SSV D 12/11 - V1	6.6	649-29493-1
SSV D 14/13 - V1	6.6	649-29494-1
SSV D 16/15 - V1	6.6	649-29591-1
SSV D 18/17 - V1	6.6	649-29592-1
SSV D 20/19 - V1	6.6	649-29593-1
SSV D 22/21 - V1	6.6	649-29594-1

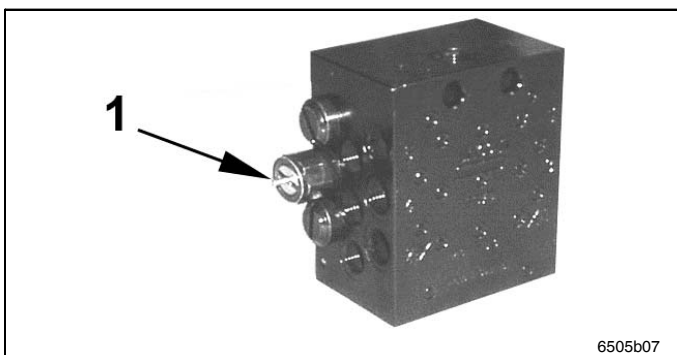


Fig. 6-11 Progressive metering device SSV D with indicator pin (pos. 1)

with indicator pin (pos. 1)

Model	Fixing- \varnothing in mm	Part no.
SSV D 6 -...-K	6.6	649-29505-1
SSV D 8 -...-K	6.6	649-29506-1
SSV D 10 -...-K	6.6	649-29507-1
SSV D 12 -...-K	6.6	649-29508-1
SSV D 14 -...-K	6.6	649-29509-1
SSV D 16 -...-K	6.6	649-29595-1
SSV D 18 -...-K	6.6	649-29596-1
SSV D 20 -...-K	6.6	649-29597-1
SSV D 22 -...-K	6.6	649-29598-1

Progressive Metering Devices SSV, SSV M, SSV D & Connecting Elements continuation

Progressive Metering Device SSV D, continuation

with indicator pin (pos. 1, Fig. 24) and bypass bore

Model	Fixing- \emptyset in mm	Part no.
SSV D 6/5-V1-...-K	6.6	649-29510-1
SSV D 8/7-V1-...-K	6.6	649-29511-1
SSV D 10/9-V1-...-K	6.6	649-29512-1
SSV D 12/11-V1-...-K	6.6	649-29513-1
SSV D 14/13-V1-...-K	6.6	649-29514-1
SSV D 16/15-V1-...-K	6.6	649-29599-1
SSV D 18/17-V1-...-K	6.6	649-29600-1
SSV D 20/19-V1-...-K	6.6	649-29601-1
SSV D 22/21-V1-...-K	6.6	649-29602-1

with indicator pin (pos. 1, Fig. 24)
and proximity switch (part no. 234-13134-3)

Model	Fixing- \emptyset in mm	Part no.
SSV D 6 -...-KN	6.6	649-29515-1
SSV D 8 -...-KN	6.6	649-29516-1
SSV D 10 -...-KN	6.6	649-29517-1
SSV D 12 -...-KN	6.6	649-29518-1
SSV D 14 -...-KN	6.6	649-29519-1
SSV D 16 -...-KN	6.6	649-29603-1
SSV D 18 -...-KN	6.6	649-29604-1
SSV D 20 -...-KN	6.6	649-29605-1
SSV D 22 -...-KN	6.6	649-29606-1



6001a02

NOTE

*Bypass bore:
Outlet bores 1 and 2 are connected with
each other internally.*

with indicator pin (pos. 1, Fig. 24), bypass bore
and proximity switch (part no. 234-13134-3)

Model	Fixing- \emptyset in mm	Part no.
SSV D 6/5-V1-...-KN	6.6	649-29520-1
SSV D 8/7-V1-...-KN	6.6	649-29521-1
SSV D 10/9-V1-...-KN	6.6	649-29522-1
SSV D 12/11-V1-...-KN	6.6	649-29523-1
SSV D 14/13-V1-...-KN	6.6	649-29524-1
SSV D 16/15-V1-...-KN	6.6	649-29607-1
SSV D 18/17-V1-...-KN	6.6	649-29608-1
SSV D 20/19-V1-...-KN	6.6	649-29609-1
SSV D 22/21-V1-...-KN	6.6	649-29610-1

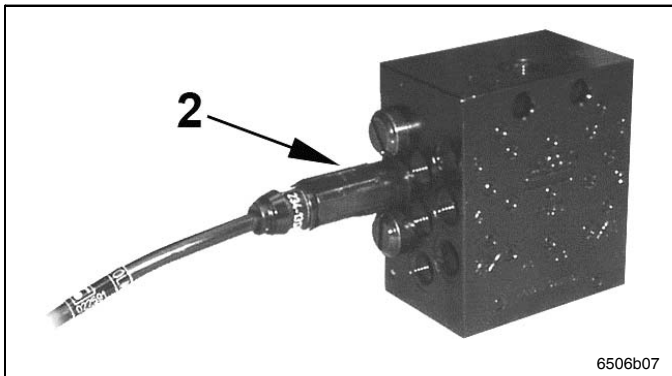


Fig. 6-12 Progressive Metering Device SSV D with piston detector (pos. 2)

with piston detector (pos. 2) for electrical monitoring

Model	Fixing- \emptyset in mm	Part no.
SSV D 6 -...-N	6.6	649-29495-1
SSV D 8 -...-N	6.6	649-29496-1
SSV D 10 -...-N	6.6	649-29497-1
SSV D 12 -...-N	6.6	649-29498-1
SSV D 14 -...-N	6.6	649-29499-1
SSV D 16 -...-N	6.6	649-29611-1
SSV D 18 -...-N	6.6	649-29612-1
SSV D 20 -...-N	6.6	649-29613-1
SSV D 22 -...-N	6.6	649-29614-1

Mounted piston detector part no. 519-34271-2

with piston detector (Pos. 2) for electrical monitoring and
bypass bore

Model	Fixing- \emptyset in mm	Part no.
SSV D 6/5-V1-...-N	6.6	649-29500-1
SSV D 8/7-V1-...-N	6.6	649-29501-1
SSV D 10/9-V1-...-N	6.6	649-29502-1
SSV D 12/11-V1-...-N	6.6	649-29503-1
SSV D 14/13-V1-...-N	6.6	649-29504-1
SSV D 16/15-V1-...-N	6.6	649-29615-1
SSV D 18/17-V1-...-N	6.6	649-29616-1
SSV D 20/19-V1-...-N	6.6	649-29617-1
SSV D 22/21-V1-...-N	6.6	649-29618-1

Mounted piston detector part no. 519-34271-2
cable length 3m

Subject to modification

Progressive Metering Devices SSV, SSV M, SSV D & Connecting Elements continuation

Progressive Metering Device SSV D, continuation

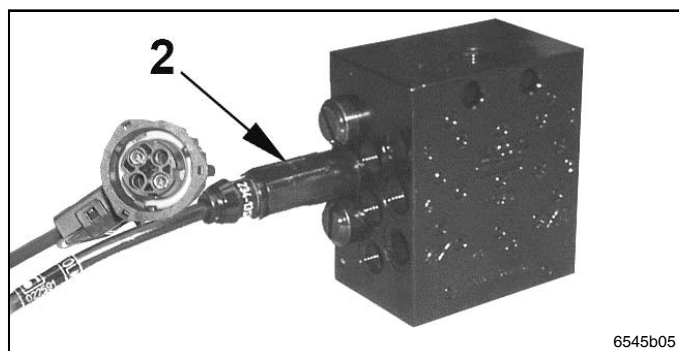


Fig. 6-13 Progressive Metering Device SSV D with piston detector (pos. 2) and bayonet plug

with piston detector (part no. 519-34339-3) for electrical monitoring and bayonet plug

Model	Fixing- \varnothing in mm	Part no.
SSV D 6 - ...-NE	6.6	649-29706-1
SSV D 8 - ...-NE	6.6	649-29707-1
SSV D 10 - ...-NE	6.6	649-29708-1
SSV D 12 - ...-NE	6.6	649-29709-1
SSV D 14 - ...-NE	6.6	649-29710-1
SSV D 16 - ...-NE	6.6	649-29711-1
SSV D 18 - ...-NE	6.6	649-29712-1
SSV D 20 - ...-NE	6.6	649-29713-1
SSV D 22 - ...-NE	6.6	649-29714-1

with 3-wire piston detector (part no. 519-34339-5) for electrical monitoring

Model	Fixing- \varnothing in mm	Part no.
SSV D 6 -...-NP	6.6	649-29525-1
SSV D 8 -...-NP	6.6	649-29526-1
SSV D 10 -...-NP	6.6	649-29527-1
SSV D 12 -...-NP	6.6	649-29528-1
SSV D 14 -...-NP	6.6	649-29529-1
SSV D 16 -...-NP	6.6	649-29619-1
SSV D 18 -...-NP	6.6	649-29620-1
SSV D 20 -...-NP	6.6	649-29621-1
SSV D 22 -...-NP	6.6	649-29622-1

with 3-wire piston detector (part no. 519-34339-5) for electrical monitoring and bypass bore

Model	Fixing- \varnothing in mm	Part no.
SSV D 6 - V -...-NP	6.6	649-29530-1
SSV D 8 - V -...-NP	6.6	649-29531-1
SSV D 10 - V -...-NP	6.6	649-29532-1
SSV D 12 - V -...-NP	6.6	649-29533-1
SSV D 14 - V -...-NP	6.6	649-29534-1
SSV D 16 - V -...-NP	6.6	649-29623-1
SSV D 18 - V -...-NP	6.6	649-29624-1
SSV D 20 - V -...-NP	6.6	649-29625-1
SSV D 22 - V -...-NP	6.6	649-29626-1



Fig. 6-14 Assortment metering screws

Metering screws

Output	Code	Qty.	Part no. r.
0.08 cm ³	A	12	549-34254-1
0.14 cm ³	B	12	549-34254-2
0.2 cm ³	C	12	549-34254-3
0.3 cm ³	D	12	549-34254-4
0.4 cm ³	E	12	549-34254-5
0.6 cm ³	F	12	549-34254-6
0.8 cm ³	G	12	549-34254-7
1.0 cm ³	H	12	549-34254-8
1.4 cm ³	I	12	549-34254-9
1.8 cm ³	J	12	549-34255-1
0.08 – 1.8 cm ³	A - J	à 2 = 20	549-34255-2



Fig. 6-15 Bracket

Bracket assy

Dimension	Application	Part no.
32 x 25	as of SSV 16	449-70906-1

SSV inlet fittings, screw type

Male connector



Fig. 7-1 Male connector

Model	Part no.
-------	----------

Standard

GE 4 - LLR 1/8 KC	223-12270-8
GE 6 - LLR 1/8 KC	223-12270-7
GE 8 - LLR 1/8 KC	223-12270-9

High-grade steel (1.4571)

GE 4 - LLR 1/8 K	223-13614-8
GE 6 - LLR 1/8 K	223-13614-9
GE 8 - LLR 1/8 K	223-13658-1

Male elbow



Fig. 7-2 Male elbow

Model	Part no.
-------	----------

Standard

WE 6 - LLR 1/8 KC	223-12485-9
WE 8 - LLR 1/8 KC	223-13021-6

High-grade steel (1.4571)

WE 4 - LLR 1/8 K	223-13677-8
WE 6 - LR 1/8 K	223-13620-8
WE 6 - LLR 1/8 K	223-12453-7

SSV inlet fittings, screw type, continuation

Hydraulic lubrication fitting for metering device inlet



Fig. 7-3 Hydraulic lubrication fitting for metering device inlet

Model	Thread	Part no.
Standard		
Hydraulic lubrication fitting, straight	AR 1/8 Z	251-14040-1
Hydraulic lubrication fitting, 45°	BR 1/8 Z	251-14045-1
Hydraulic lubrication fitting, 90°	CR 1/8 Z	251-14040-2
High-grade steel (1.4571)		
Hydraulic lubrication fitting, 45°	A2 BR 1/8	251-14063-4
Hydraulic lubrication fitting, straight with check valve	R 1/8	251-14073-9

Connecting Elements for Lubrication Points and Lubricant Feed Lines

Identification Code for Fittings

Examples of model designations

	GE	-	6	-	L	-	G 1/8 A	-	C
	WE	-	6	-	LL	-	M 8x1K	-	C
	GE	-	4	-	LL	-	R 1/8K	-	C
	SWVE	-	6	-	LL	-	M 10x1K	-	C
	TR	-	10/6/10	-	L	-		-	C
	T	-		-	LL	-		-	C

Fitting type abbreviation	GE	WE	GE	SWVE	TR	T
Tube diameter (mm)	6	6	4	6	10/6/10	
Series (LL, L)	L	LL	LL	LL	L	LL
Male thread, conical or cylindrical	G 1/8 A	M 8x1K	R 1/8K	M 10x1K		
Finish, yellow-chromate	C	C	C	C	C	C

Quick Connecting Fittings, push-in type (Quicklinc)

Identification code for quick connecting fittings

Examples of model designations

	WEK -	6500	- 6	- M 8x1	- S01
	GEK - S	6510	- 4	- R 1/8	- S02
	SW - V	6540	- 6	- M 10x1	- S01
	GS -	6580	- 6	-	S02
	TS -	6540	- 6	-	S01

Fitting type abbreviation	-----
S – Sealing on thread	-----
V – reinforced clamping ring	-----
Type designation (manufacturer)	-----
Tube diameter (mm)	-----
Male thread, conical (if any)	-----
Special designs	-----

SSV / SSV M / SSV D - Quicklinc - Inlet fittings, push-in type

Male connector



Fig. 8-1 Male connector

Model	∅	Part no.
GEKV S6510-6-1/8-S01	6 mm	226-14111-1 ¹⁾



6001a02

IMPORTANT NOTE

To be used only for a connection for hose stud with groove.

¹⁾ Dimensions see Fig. 27-7

Male elbow



Fig. 8-2 Male elbow

Model	∅	Part no.
WEKV S6500-6-1/8-S01	6 mm	226-13753-9 ²⁾



6001a02

IMPORTANT

To be used only for a connection for hose stud with groove.

²⁾ Dimensions see Fig. 27-8

Subject to modification

SSV / SSV D - Outlet fittings with check valve, screw type

Standard

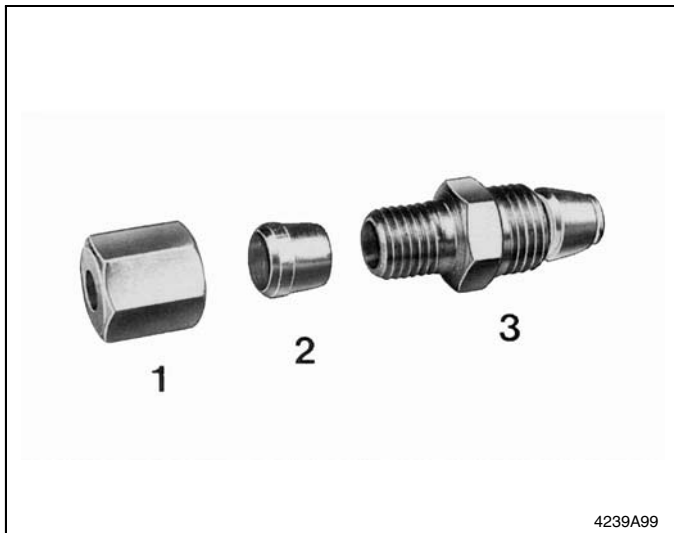


Fig. 9-1 Standard or high-grade version 1.4571

Opening pressure of the check valve in the valve body: 6 -8 bar

Item	Tube-Ø	Part no.
Outlet fitting assembly SSVM		
Complete with check valve	4 mm	519-31661-1
Consisting of:		
1 Coupling nut	4 mm	223-13032-1
2 Cutting ring	4 mm	223-14083-3
3 Valve body	M 8 x 1	519-31612-1
Clamping ring		419-22603-4
Outlet fitting assembly SSV		
Complete with check valve	4 mm	504-30345-2
Consisting of:		
1 Coupling nut	4 mm	223-13032-1
2 Cutting ring	4 mm	223-14083-3
3 Valve body with clamping ring	M 10 x 1	504-30517-2
Outlet fitting assembly SSV		
Complete with check valve	6 mm	504-30344-4
Consisting of:		
1 Coupling nut	6 mm	223-14084-3
2 Cutting ring	6 mm	223-12295-2
3 Valve body with clamping ring	M 10 x 1	504-30364-4
Check valve for tube Ø		
	8 mm	
with long adapter (32 mm)		504-31864-1
with short adapter (18 mm)		504-31863-1



6001a02

IMPORTANT

Use only the above mentioned outlet fittings (items 1-3, see Fig. 9-1).

Outlet Fittings, screw type (high-grade steel 1.4571)

Item	Tube-Ø	Part no.
Outlet fitting assembly SSV		
Complete with check valve	4 mm	504-31709-1
Consisting of:		
1 Coupling nut	4 mm	223-13638-6
2 Cutting ring	4 mm	223-13639-5
3 Valve body with clamping ring	M 10 x 1	504-31704-2

Item	Tube-Ø	Part no.
Outlet fitting assembly SSV		
Complete with check valve	6 mm	504-31705-1
Consisting of:		
1 Coupling nut	6 mm	223-13638-2
2 Cutting ring	6 mm	223-13639-2
3 Valve body with clamping ring	M 10 x 1	504-31712-2



6001a02

IMPORTANT

Use only the above mentioned outlet fittings (items 1-3, see Fig. 9-1).

SSV Outlet fittings, screw-type without check valve

Outlet fittings, screw-type, without check valve

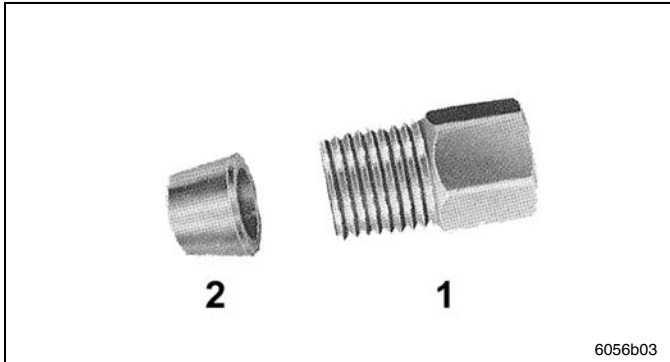


Fig. 10-1 Outlet fittings, screw-type, without check valve



6001a02

IMPORTANT

Only suitable
- for pressure plastic tube
- with open tube end
- for oil

Item	Tube-Ø	Part no.
------	--------	----------

Standard SSVM

Consisting of:

1	Coupling screw	4 mm	419-22604-2
2	Sealing & clamping ring	4 mm	419-22603-4

Standard SSV

Consisting of:

1	Coupling screw	6 mm	404-20236-4
2	Sealing & clamping ring	6 mm	404-23034-1

High-grade steel 1.4571 only SSV

Consisting of:

1	Coupling screw	6 mm	404-23668-1
2	Sealing & clamping ring ¹⁾	6 mm	404-23034-1

¹⁾ for pressure plastic tube Ø 6 x 1.5 m

SSV / SSV M /SSV D - Quicklinec outlet fitting, push-in type

(connections for GE M 8 x 1 and M 10 x 1)

Valve Body, straight



Fig. 11-1 Reinforced version for the connection of hose studs

From the main metering device to the secondary metering device, reinforced version

Designation	Tube-Ø	Part no.
-------------	--------	----------

valve body	6 mm	
With clamping ring RVV 6511-6-M 10 x 1-S02		226-14091-4 ²⁾

²⁾ Dimensions see Fig. 27-10



6001a02

IMPORTANT

Use the valve body only for connecting the high-pressure plastic hose (incl. hose stud with groove) to the main metering device. The clamping ring of the valve body is not knurled and has a wide collar. Adequate for 350 bar.

SSV / SSV M /SSV D - Quicklinec outlet fitting, push-in type, continuation

(connections for GE M 8 x 1 and M 10 x 1)

Valve Body, straight, continuation



Fig. 11-2 Standard version for the connection of pressure plastic tube

From the secondary metering device to the lube point, Standard

Designation	Tube-Ø	Part no.
SSVM valve body with clamping ring RV 6511-4-M 8 x 1-S02	4 mm	226-14091-5
SSV valve body with clamping ring RV 6511-4-M 10 x 1-S02	4 mm	226-14091-6
SSV valve body with clamping ring RV 6511-6-M 10 x 1-S01	6 mm	226-14091-2 ¹⁾

¹⁾ Dimensions see Fig. 27-10



6001a02

IMPORTANT

Use the valve body only for connecting the pressure plastic tube (Ø 4 x 1.5 mm or 6 x 1.5 mm). The clamping ring of the valve body is knurled and has a narrow collar.

Valve Body 90° with clamping ring



Fig. 11-3 Reinforced version for the connection of hose studs

From the main metering device to the secondary metering device, reinforced version

Designation	Tube-Ø	Part no.
WRVV 6521-6-M 10 x 1	6 mm	226-14091-8 ¹⁾



6001a02

IMPORTANT

Use the valve body only for connecting the high-pressure plastic hose (incl. hose stud with groove) to the main metering device. The clamping ring of the valve body is not knurled and has a wide collar. Adequate for 350 bar

From the secondary metering device to the lube point, Standard

Designation	Tube-Ø	Part no.
WRV 6511-6-M 10 x 1	6 mm	226-14091-9 ¹⁾

¹⁾ Dimensions see Fig. 27-11

Closure Plugs

Closure Plug SSV, SSV M, SSV D (for internal combining of outlets)



Fig. 12-1 Closure plug SSV, SSV D

Designation	Thread- & inner \varnothing	Part no.
SSV M		
Standard		
Closure plug	M 8 x 1	303-16284-1
SSV and SSV D		
Standard		
Closure plug	M 10 x 1	303-17499-3
High grade steel (1.4571)		
Closure plug	M 10 x 1	303-19346-2
O-ring (not shown)	\varnothing 10 x 1	219-13798-3



6001a02

NOTE

Use O-ring only if the closure plug (which is provided with a bind head ring) does not seal correctly any longer after tightening it at 18 Nm.

Other Fittings

External outlet combining element, screw-type

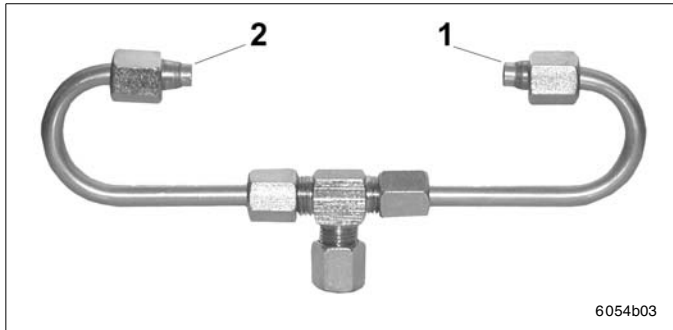


Fig. 13-1 Outlet combining element, screw-type

Fixing parts

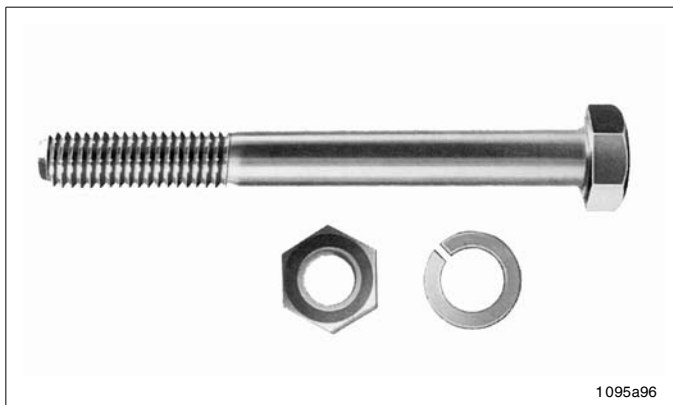


Fig. 13-2 Fixing parts

Part no.

519-31826-1



6001a02

NOTE

With the outlet-combining element, the grease quantities of outlet 2 and 1 of metering devices SSV 6 to 22 (see Fig. 13-1) and the grease quantities of the two outlets with the highest numbers of the combined metering devices SSV 14 to 22 can be supplied to one lube point.

Designation

Dimension Part no.

Standard

Hexagon head screw	M6 x 40 C	200-12000-3
Hexagon head screw	M6 x 50 C	200-12037-6
Hexagon head screw	M5 x 45 C	200-13017-5
Hexagon head screw	M5 x 55 C	200-13092-2
Hexagon head screw	M6 x 45 C	200-13092-3
Hexagon head screw	M6 x 55 C	200-13037-7
Hexagon head screw	M6 x 60 C	200-13037-3
Hexagon socket head screw	M6 x 45 C	201-12019-3
Hexagon socket head screw	M6 x 60 C	201-12019-6
Hexagon nut	M5 C	207-12138-2
Hexagon nut	M6 C	207-12135-5
Hexagon head screw + washer	M8 x 40 C	200-14165-1
Spring-lock washer	A 6 C	213-12168-8
Tooth-lock washer	J 5.3 Z	210-12161-9
Washer, ST	A 8.4 C	209-13077-1
Seal-lock Hexagon nut	M8	207-12516-1
Hexagon head screw	M8 x 30 C	200-12007-6

High-grade steel (1.4571)

Hexagon head screw	M6 x 60	200-13726-1
Hexagon socket head screw	M6 x 45	201-13741-4
Hexagon socket head screw	M6 x 50	201-13741-5
Washer	6.4	209-12152-9
Washer	A 6.4	209-13683-2
Hexagon nut	M6	207-13657-6

Other Fittings, continuation

SSV-pressure control



SSV Pressure control, assy. with threaded housing

Designation	Dimension female thread	Pressure	Part no.
Pressure indicator	M10 x 1	50 bar	532-32680-1
Pressure indicator	M10 x 1	200 bar	532-32681-1
Pressure indicator	M10 x 1	270 bar	532-32682-1
Pressure indicator	M10 x 1	400 bar	532-32683-1

Fig. 13-3 SSV-pressure control

Connecting Elements, Screw-Type

Male connector (Tube Ø 4 mm)



Model	Part no.
Standard	
GE4-LLM 6 x 1KC	223-12533-5 ¹⁾
GE4-LLM 8 x 1KC	223-12271-8 ¹⁾
GE4-LLM 10 x 1KC	223-13069-1 ¹⁾
GE4-LLR 1/8 KC	223-12270-8 ¹⁾

¹⁾ Dimensions see Fig. 27-1

Fig. 14-1 Male connector (tube Ø 4 mm)

Connecting Elements, Screw-Type, continuation

Male connector (tube Ø 6 mm)



Fig. 14-2 Male connector (tube Ø 6 mm)

Model	Part no.
Standard	
GE6-LLM 6 x 1KC	223-12533-9 ¹⁾
GE6-LLM 8 x 1KC	223-13023-1 ¹⁾
GE6-LLM 10 x 1KC	223-12271-7 ¹⁾
GE6-LLR 1/8KC	223-12270-7 ¹⁾
GE6-LG 1/4AC	223-12477-8

High-grade steel (1.4571)

GE6-LLM 6 x 1K	223-13658-7
GE6-LLM 8 x 1K	223-13658-6
GE6-LLM 10 x 1K	223-13658-5
GE6-LLG 1/8A	223-13614-9
GE6-L 1/8 NPTA	223-13784-2
GE6-LG 1/8A	223-13658-2
GE6-LG 1/4A	223-13658-9

¹⁾ Dimensions see Fig. 27-1

Male connector (tube Ø 8 mm)



Fig. 14-3 Male connector (tube Ø 8 mm)

Model	Part no.
GE8-LLM 10 x 1KC	223-13021-1 ²⁾
GE8-LM 12 x 1.5KC	223-12361-6 ²⁾
GE8-LLR 1/8KC	223-12270-9 ²⁾
GE8-LLR 1/4KC	223-13621-6 ²⁾
GE8-LG 1/4AC	223-12477-6

²⁾ Dimensions see Fig. 27-1

Male elbow (tube Ø 4 mm)



Fig. 14-4 Male elbow (tube Ø 4 mm)

Model	Part no.
WE4-LLM 6 x 1KC	223-12533-6 ³⁾
WE4-LLM 8 x 1KC	223-13021-5 ³⁾
WE4-LLM 10 x 1KC	223-13069-2 ³⁾
WE4-LLR 1/8KC	223-13021-4 ³⁾

³⁾ Dimensions see Abb. 27-2

Connecting Elements, Screw-Type, continuation

Male elbow (tube Ø 6 mm)



Fig. 14-5 Male elbow (tube Ø 6 mm)

Model	Part no.
-------	----------

Standard

WE6-LLM 6 x 1KC	223-13023-2 ¹⁾
WE6-LLM 8 x 1KC	223-13023-3 ¹⁾
WE6-LLM 8 x 1.25KC	223-13763-4
WE6-LLM 10 x 1KC	223-13021-3 ¹⁾
WE6-LLR 1/8KC	223-12485-9 ¹⁾
WE6-LR 1/4KC	223-12380-6

High-grade steel (1.4571)

WE6-LLM 6 x 1K	223-13677-4
WE6-LLM 8 x 1K	223-13677-2
WE6-LLM 10 x 1K	223-13677-3
WE6-LLR 1/8K	223-12453-7
WE6-LR 1/8K	223-13620-8
WE6-LR 1/4K	223-13794-1
WE6-SR 1/4K	223-13620-1

¹⁾ Dimensions see Fig. 27-2

Male elbow (tube Ø 8 mm)



Fig. 14-6 Male elbow (tube Ø 8 mm)

Model	Part no.
-------	----------

WE8-LLM 10 x 1KC	223-12362-4 ²⁾
WE8-LM 12 x 1.5KC	223-12362-8 ²⁾
WE8-LLR 1/8KC	223-13021-6 ²⁾
WE8-SR 1/4KC	223-13048-4

²⁾ Dimensions see Fig. 27-2

Extension adapter



Fig. 14-7 Extension adapter

Model	Thread, female	Thread, male	Part no.
-------	----------------	--------------	----------

RK 605	M 8 x 1	M 8 x 1 K	304-19437-1 ³⁾
	M 10 x 1	M 10 x 1 KC	304-19509-1 ³⁾
	M 10 x 1	R 1/8 KC	304-19230-1 ³⁾
	M 10 x 1	M 12 x 1 KC	712-12724-7 ³⁾
chromated	G 1/8	M 8 x 1 KC	304-19167-1 ³⁾
	M 8 x 1	M 8 x 1.25 KC ⁴⁾	304-19548-1 ³⁾
	M 8 x 1	M 6 x 1 KAC	304-19787-1 ³⁾

³⁾ Dimensions see Fig. 27-4

⁴⁾ for Renault

Subject to modification

Connecting Elements, Screw-Type, continuation

Adapter 90°



1098a96

Fig. 14-8 Adapter 90°

Thread, female	Thread, male	Part no.
M 8 x 1 C	M 8 x 1 K	432-24043-1
M 8 x 1 C	M 10 x 1 K	432-24052-1
G 1/8	R 1/8 K	432-70674-1



6001a02

NOTE

When screwing in a threaded fitting take care that the outlet borehole of the elbow fittings is not closed by the threaded piece of the inlet fitting.

Adapter 45°



1099a96

Fig. 14-9 Adapter 45°

Thread, female	Thread, male	Part no.
M 8 x 1	M 8 x 1 K	432-24050-1
M 8 x 1	M 10 x 1 K	432-24051-1
G 1/8	R 1/8 K	432-70673-1
M 10 x 1	M 8 x 1 K	432-71483-1



6001a02

NOTE

When screwing in a threaded fitting take care that the outlet borehole of the elbow fittings is not closed by the threaded piece of the inlet fitting.

Banjo connector 90°



1100a96

Fig. 14-10 Banjo connector 90°

Model	Tube-Ø	Part no.
SWV E4-LLG 1/8 AC	4 mm	223-13629-1 ¹⁾
SWV E4-LLM 10 x 1 C	4 mm	223-12480-8 ¹⁾
SWV E6-LLG 1/8 AC	6 mm	223-12479-9 ¹⁾
SWV E6-LLM 10 x 1 C	6 mm	223-12480-7 ¹⁾

¹⁾ Dimensions see Fig. 27-3

Connecting Elements, Screw-Type, continuation

Straight swivel



Fig. 14-11 Straight swivel

Model	Part no.
1/8 i x 1/8 a NPT	223-12567-3



600 1a02

NOTE

To be used only for occasional rotary movements.

Maximum admissible pressure 50 bar

90° angle swivel



Fig. 14-12 90° angle swivel

Model	Part no.
1/8 i x 1/8 a NPT	223-12567-1



600 1a02

NOTE

To be used only for occasional rotary motions.

Maximum admissible pressure 50 bar

Straight swivel

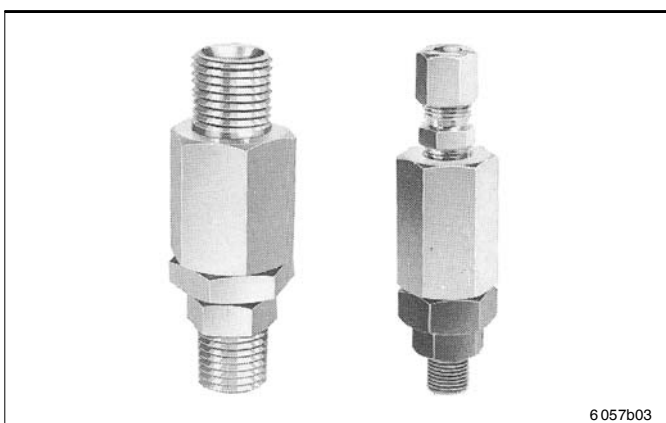


Fig. 14-13 Straight swivel

Connecting thread	Part no.
G 1/4 A x G 1/4 A C	626-25721-2
G 1/8 A x G 1/4 A C	626-25720-2
G 1/8 A x tube Ø 4 mm C	626-26696-2
G 1/8 A x tube Ø 6 mm C	626-26697-2
G 1/4 A x tube Ø 4 mm C	626-26698-2
G 1/4 A x tube Ø 6 mm C	626-26699-2

Maximum admissible speed 80 rpm

Maximum admissible pressure 100 bar

Subject to modification

Connecting Elements, Screw-Type, continuation

90° angle swivel

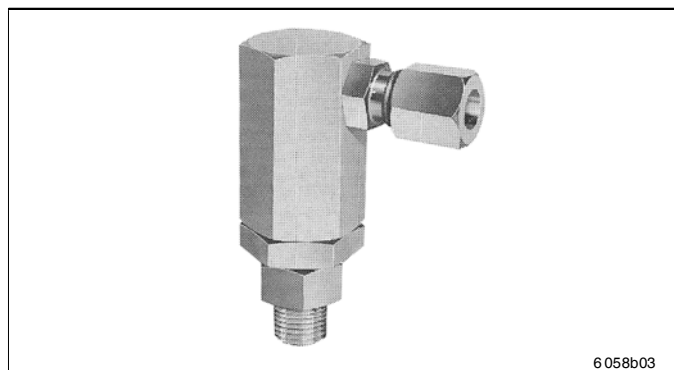


Fig. 14-14 90° angle swivel

Connecting thread	Part no.
G 1/4 A x G 1/4 A C	626-25716-2
G 1/4 A x G 1/8 A C	626-25540-2
G 1/8 A x tube Ø 4 mm C	626-26700-2
G 1/8 A x tube Ø 6 mm C	626-25438-2
G 1/4 A x tube Ø 4 mm C	626-26701-2
G 1/4 A x tube Ø 6 mm C	626-25717-2

Maximum admissible speed 80 rpm
Maximum admissible pressure 100 bar

Union



Fig. 14-15 Union

Model	Part no.
Standard	
G4-LLC 4 mm	223-12531-8
G6-LLC 6 mm	223-12482-9 ¹⁾
High-grade steel	
G6-LL 6 mm	223-12454-7

¹⁾ Dimensions see Fig. 27-5

Union-tee



Fig. 14-16 Union-tee

Model	Part no.
Standard	
T4-LLC 4 mm	223-12563-5
T6-LLC 6 mm	223-12484-9 ²⁾
T6-LC 6 mm	223-12484-2
High-grade steel	
T6-L 6 mm	223-12455-7

²⁾ Dimensions see Fig. 27-6

Quicklinc Connecting fittings, push-in type

Male connector



Fig. 15-1 Male connector, standard design

Model	Tube Ø	Part no.
Standard		
GEK 6510-4-M 6 x 1-S01	4 mm	226-13752-3 ¹⁾
GEK 6510-4-M 8 x 1-S01	4 mm	226-13752-1 ¹⁾
GEK 6510-4-M 10 x 1-S01	4 mm	226-13752-2 ¹⁾
GEK 6510-4-1/8-S01	4 mm	226-13752-4 ¹⁾
GEK 6510-6-M 6 x 1-S01	6 mm	226-13752-8 ¹⁾
GEK 6510-6-M 8 x 1-S01	6 mm	226-13752-7 ¹⁾
GEK 6510-6-M 10 x 1-S01	6 mm	226-13752-6 ¹⁾
GEK 6510-6-1/8-S01	6 mm	226-13752-9 ¹⁾
GEK S6510-6-1/8-S02	6 mm	226-14111-5 ¹⁾
GEZ-S 6510-6-1/4	6 mm	226-13746-9

¹⁾ Dimensions see Fig. 27-7



6001a02

IMPORTANT

Use this fitting **only** for the connection to the lubrication points. It is suitable for the connection of the pressure plastic tube (Ø 4 x 1 und 6 x 1,5 mm) only.

Model	Tube Ø	Part no.
Special fittings		
GEZ 6512-3-M 3	3 mm	226-10210-8
GEK 6512-4-M 5	4 mm	226-10210-5
GEK 6512-4-M 6	4 mm	226-10210-6
GEZ 6512-4-M 6 x 0.75	4 mm	226-10210-9
GEK 6512-4-M 8 x 1	4 mm	226-10210-7
GEK 6512-6-M 6	6 mm	226-10210-3
GEK 6512-6-M 8 x 1	6 mm	226-10210-4



Fig. 15-2 Male connector, push-in type, with reinforced collar

Model	Tube Ø	Part no.
Reinforced design		
GEKV 6510-6-M6 x 1-S03	6 mm	226-14111-4
GEKV 6510-6-M8 x 1-S03	6 mm	226-14111-2
GEKV 6510-6-M10 x 1-S03	6 mm	226-14111-3
GEKV 6510-6-1/8-S01	6 mm	226-14111-1
GEZV 6511-6-1/4-S01	6 mm	226-14139-1



6001a02

IMPORTANT NOTE

Use this fitting **only** for the connection to the lubrication points, if the pressure plastic tube is replaced by **high-pressure hose**. Suitable for a pressure of 350 bar.

Quickline Connecting Elements, Push-in Type, continuation

Male elbow



Fig. 15-3 Male elbow with knurled collar

Model	Tube Ø	Part no.
Standard design		
WEK 6500-4-M 6 x 1-S01	4 mm	226-13753-5 ¹⁾
WEK 6500-4-M 8 x 1-S01	4 mm	226-13753-1 ¹⁾
WEK 6500-4-M 10 x 1-S01	4 mm	226-13753-2 ¹⁾
WEK 6500-4-1/8-S01	4 mm	226-13753-3 ¹⁾
WEK 6500-6-M 6 x 1-S01	6 mm	226-13753-7 ¹⁾
WEK 6500-6-M 8 x 1-S01	6 mm	226-13753-8 ¹⁾
WEK 6500-6-M 10 x 1-S01	6 mm	226-13753-6 ¹⁾
WEK 6500-6-1/8-S01	6 mm	226-13753-4 ¹⁾
WEK S6500-6-1/4-S01	6 mm	226-14123-1
WEK 6500-8-1/8-S01	8 mm	226-14123-6

¹⁾ Dimensions see Fig. 27-8



6001a02

IMPORTANT NOTE

Use this fitting **only** for the connection of the lubrication points. The fitting is designed only for the connection of the pressure plastic tube Ø 4 x 1 mm and Ø 6 x 1.5 mm.



Fig. 15-4 Male elbow with reinforced collar

Model	Tube Ø	Part no.
Reinforced collar		
WEKV - 6500-6-M6 x 1-S03	6 mm	226-14123-4
WEKV - 6500-6-M8 x 1-S03	6 mm	226-14123-2
WEKV - 6500-6-M10 x 1-S03	6 mm	226-14123-3
WEKV - 6500-6-1/8-S02	6 mm	226-14123-5



6001a02

IMPORTANT NOTE

Use this fitting only for the connection to the lubrication points, if the pressure plastic tube is replaced by **high-pressure hose** with hose stud and threaded sleeve. Suitable for a pressure of 350 bar.

Quicklinc Connecting Elements, Push-in Type, continuation

Male elbow, rotary



Fig. 15-5 Male elbow, rotatable, standard design

Model	Tube Ø	Part no.
Standard design		
WEDK 6520-4-M6 x 1-S01	4 mm	226-13756-6 ¹⁾
WEDK 6520-4-M8 x 1-S01	4 mm	226-13756-1 ¹⁾
WEDK 6520-4-M10 x 1-S01	4 mm	226-13756-2 ¹⁾
WEDK 6520-4-1/8-S01	4 mm	226-13756-3 ¹⁾
WEDK 6520-6-M6 x 1-S01	6 mm	226-13756-7 ¹⁾
WEDK 6520-6-M8 x 1-S01	6 mm	226-13756-4 ¹⁾
WEDK 6520-6-M10 x 1-S01	6 mm	226-13756-5 ¹⁾
WEDK 6520-6-1/8-S01	6 mm	226-13756-8 ¹⁾
WEDZ 6522-6-1/4	6 mm	226-13776-1

¹⁾ Dimensions see Fig. 27-9



NOTE

Use only for occasional rotary motions; pivoting angle < 180 °. For other applications use a straight rotary swivel, 90° or a similar fitting.

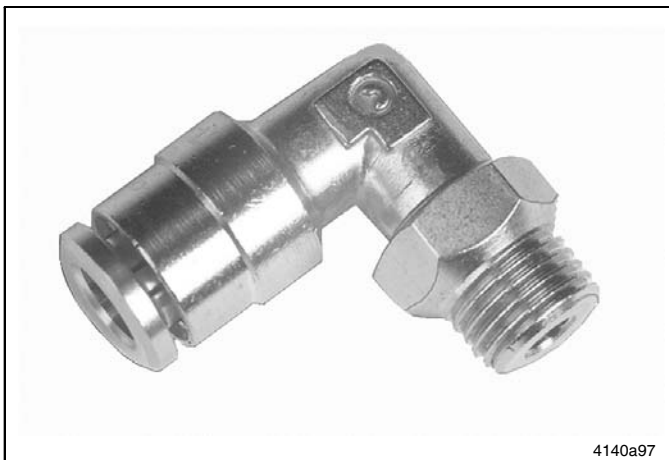


Fig. 15-6 Male elbow, rotatable, reinforced collar

Model	Tube Ø	Part no.
Reinforced collar		
WEDKV 6520-6-1/8-S02	6 mm	226-13756-9
WEDKV 6520-6-1/4-S02	6 mm	226-14157-4
WEDKV 6520-6-M10 x 1-S02	6 mm	226-14157-2
WEDKV 6520-6-M8 x 1S02	6 mm	226-14157-1
WEDKV 6520-6-M6 x 1S99	6 mm	226-14157-3



IMPORTANT

Use this fitting only for the connection to the lubrication points, if the pressure plastic tube is replaced by **high-pressure hose** with hose stud and threaded sleeve. Suitable for a pressure of 350 bar



Fig. 15-7 Male elbow, rotatable, standard design

Model	Tube Ø	Part no.
Reinforced collar for 350 bar		
WEDZV 6622-6-M10 x 1-S	6 mm	226-10223-6
WEDZV 6622-6-M8 x 1-S	6 mm	226-10223-4
WEDZV 6622-6-1/8 -S	6 mm	226-10223-2
Standard design		
WEDZ 6622-6-M10 x 1-S	6 mm	226-10223-5
WEDZ 6622-6-M8 x 1-S	6 mm	226-10223-3
WEDZ 6622-6-1/8 -S	6 mm	226-10223-1

Subject to modification

Quicklinc Connecting Elements, Push-in Type, continuation

Male elbow, continuation



Fig. 15-8 Male elbow, rotatable, standard design

Model	Tube Ø	Part no.
Special fitting		
WEDZ 6522-3-M3	3 mm	226-10412-4
Standard design		
WEDZ 6522-4-M3	4 mm	226-10412-5
WEDZ 6522-4-M5	4 mm	226-13776-7
WEDZ 6522-4-M6	4 mm	226-13776-8
WEDZ 6522-4-M6 x 0.75	4 mm	226-10412-6
WEDZ 6522-4-M8	4 mm	226-13776-9
WEDZ 6522-6-M6	6 mm	226-10412-2
WEDZ 6522-6-M8	6 mm	226-10412-3



6001a02

NOTE

Use only for occasional rotary motions; pivoting angle < 180°. For other applications use a straight rotary swivel, 90° or a similar fitting.

Banjo connector



Fig. 15-9 Banjo connector

Model	Part no.
Standard design	
SWVZ 6-1/8	504-36893-1

T-piece, reinforced



Fig. 15-10 T-piece, reinforced

Model	Tube Ø	Part no.
TSV 6540-6-S02		226-14097-4 ¹⁾

¹⁾ Dimensions see Fig. 27-12



6001a02

NOTE

Use only for combining two lubricant quantities, either from the main metering device to a secondary metering device or back to the pump. Designed for high-pressure hose (Ø 8.6 x 2.3 mm) with hose stud and groove.

Quicklinc Connecting Elements, Push-in Type, continuation

Bulkhead fitting



6059b03

Fig. 15-11 Bulkhead fitting

Model	Female thread	Part no.
Standard design		
SV 6590-6-S05	M 8 x 1	226-10214-2
SV 6590-6-S03	G 1/8	226-10214-3

Reinforced collar		
SVV 6590-6-S04	G 1/8	226-10214-4



6001a02

NOTE

In combination with a hydraulic lubrication fitting, all variants can also be used as a lubrication fitting block (see Fig. 23-4).



6001a02

NOTE

The sheet thickness should not exceed the allowed maximum value of 8 mm!

Zerk-Lock fitting for lubrication fitting connection

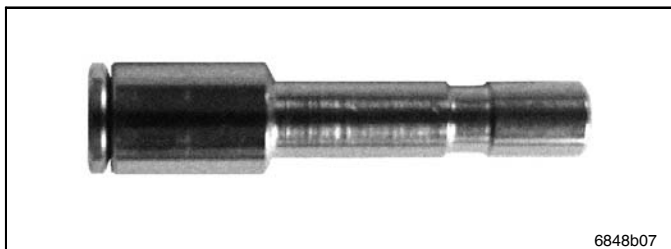


4443a02

Fig. 15-12 Zerk-Lock fitting for the direct connection between pressure plastic tube and lubrication fitting

Designation	Tube Ø	Part no.
Zerk-Lock fitting	6 mm	532-32385-1
Consisting of:		
Zerk-Lock adapter		270784
GEK C6510-6 1/8 NPTF-D99		226-14111-6

Drop



6848b07

Fig. 15-13 Drop 6800

Designation	Tube -Ø	Tube -Ø	Part no.
Drop 6800 3-4	3 mm	4 mm	226-10417-3
Drop 6800 4-6	4 mm	6 mm	226-10417-2
Drop 6800 4-8	4 mm	8 mm	226-10417-1

Quickline Connecting Elements, Push-in Type

T-Piece



Fig. 15-14 T-piece

Model	Part no.
TS 6540-6-S01	226-14097-2 ¹⁾
TS 6540-8	226-14097-3

¹⁾ Dimensions see Fig. 27-12



6001a02

NOTE

Use only for combining two lubricant quantities. Designed for pressure plastic tube (Ø 6 x 1.5 mm) for the connection from a secondary metering device to a lubrication point.

Line connector



Fig. 15-15 Line connector

Model	Part no.
Standard design	
GS 6580-4 For pressure plastic tube Ø 4 x 1 mm	226-13773-1
GS 6580-6-S01 For pressure plastic tube Ø 6 x 1.5 mm	226-13773-3

Reinforced design

GSV 6580-6-S02
For high-pressure hose (Ø 8.6 x 2.3 mm), with hose stud and groove.



6001a02

NOTE

To be used for the repair of high-pressure hose and pressure plastic tube.

Line connector



Fig. 15-16 Line connector

Model	Part no.
D6 x 1.5 x 40 mm For high-pressure hose (Ø 8.6 x 2.3 mm), with hose stud and groove.	432-24280-1



6001a02

NOTE

Use in conjunction with T-piece 226-14097-4.

Quicklub Accessories

Protective cap for push-in type fittings



00002630

Fig. 16-1 Protective cap for push-in type fittings

Part no.

432-24313-1



6001a02

NOTE

For the protection against humidity and dirt.

Closure plug



10002707

Fig. 16-2 Closure plug

Ø (mm)

Part no.

D 6

226-13797-3



6001a02

NOTE

For closing the return line connection on the pump.

Assortment case



1144b07

Fig. 16-3 Assortment case

Designation

Part no.

Assortment case Quicklub

604-28196-1



6001a02

NOTE

For the completion or repair of Quicklub-progressive systems.

Subject to modification

Lines and Accessories

Pressure plastic tube, filled with grease



1145a96

Fig. 17-1 Pressure plastic tube

Designation	Outer \varnothing x Side thickness in mm	Part no.
Pressure plastic tube	4 x 1	504-36061-7
Pressure plastic tube	6 x 1.5	504-36041-2

Max. operating pressure 89 bar
 Bursting pressure at 20 °C approx. 210 bar
 Min. bending radius 50 mm
 Roller, max. length 100 m
 Grease filling Fuchs FWA 120

Pressure plastic tube, without grease filling

Designation	Outer \varnothing x Side thickness in mm	Part no.
Pressure plastic tube	4 x 1	112-35127-7

Bursting pressure at 20 °C approx. 210 bar
 Min. bending radius 50 mm



6001a02

NOTE

Do not use pressure plastic tube (\varnothing 4 x 1 mm) for dispensing grease in the case of applications in commercial vehicles.

Designation	Outer \varnothing x Side thickness in mm	Part no.
Pressure plastic tube	6 x 1.5	112-35127-2

Bursting pressure at 20 °C approx. 210 bar
 Min. bending radius 50 mm

Steel tube



10002713

Fig. 17-2 Steel tube

Length 3 m

Design	Outer \varnothing x Side thickness in mm	Part no.
Standard	6 x 1	105-35019-1
	8 x 1	105-35251-3
Galvanized	6 x 1	105-35025-2
	8 x 1	105-35025-3
High-grade steel 1.4541	6 x 1	106-35064-4
	8 x 1	106-35063-1
High-grade steel 1.4571	6 x 1	106-35203-4
	8 x 1	106-35203-3
High-grade steel 1.4301	6 x 1	106-35231-1
	10 x 1	106-35231-3

Lines and Accessories, continuation

High-pressure hose KF300, filled with grease



1145a96

Fig. 17-3 High-pressure hose KF300 or KF400

Designation	Inner Ø x Side Thickness in mm	Part no.
High-pressure hose KF300, running m	4.1 x 2.3	504-36033-3
KF300, 50 m		504-34400-3

Max. operating pressure 350 bar
 Min. bursting pressure (with hose coupling, screwed) at 20 °C 600 bar
 Temperature range -40 °C to + 70 °C
 Min. bending radius 35 mm
 Roller, max. length 50 m
 Grease filling Fuchs Renocal 745

High-pressure hose KF300, without grease filling

Designation	Inner Ø x Side Thickness in mm	Part no.
High-pressure hose KF300, running m	4.1 x 2.3	111-35114-1

Max. operating pressure 350 bar
 Min. bursting pressure (with hose coupling, screwed) at 20 °C 600 bar
 Temperature range -40 °C to + 70 °C
 Min. bending radius 35 mm
 Roller, max. length 50 m

High-pressure hose KF400, without grease filling

Designation	Inner Ø x Side Thickness in mm	Part no.
High-pressure hose KF400	6 x 2.5	111-35301-4

Max. operating pressure 350 bar
 Min. bursting pressure at 20 °C approx. 840 bar
 Temperature range -40 °C to + 70 °C
 Min. bending radius 45 mm
 Roller, max. length 50 m

Lines and Accessories, continuation

Press-fit hose couplings (for hydraulic pressing only)

For high-pressure hose KF300

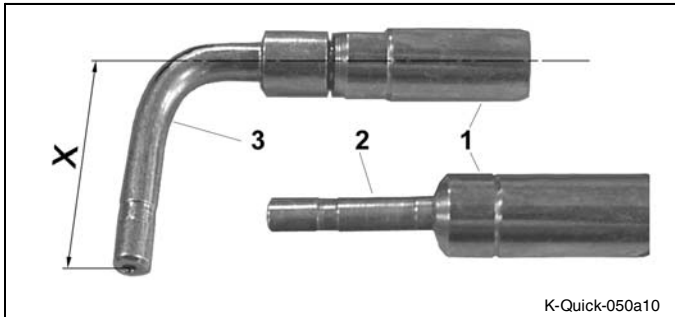


Fig. 17-4 Hydraulic press-fit hose couplings for KF300

Item	Designation	Stud \varnothing	NW	Part no.
1	Compression sleeve		4 mm	432-23787-1
2	Hose stud, straight			
	F	6 mm	4 mm	432-23781-1
	VA	6 mm	4 mm	432-23777-1
3	Hose stud 90°			
	X: short	6 mm	4 mm	532-31949-1
	Hose stud 90°			
	X: long	6 mm	4 mm	532-32425-1

Press dimension on inquiry

For high-pressure hose KF300

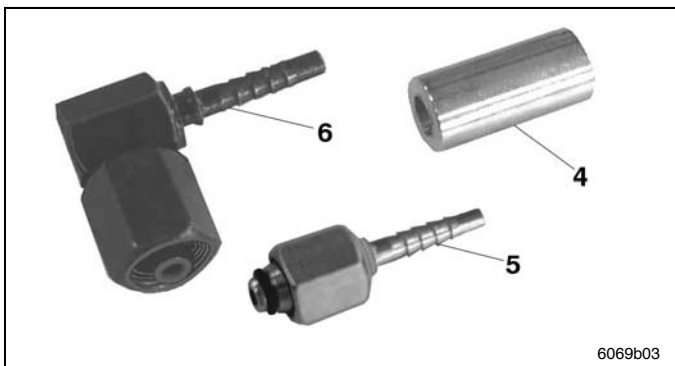


Fig. 17-5 DKO L and DKOLL hose stud for KF300

Item	Designation	Thread	NW	Part no.
4	Compression sleeve DKO L and LL		4 mm	432-70025-1
5	Hose stud, straight			
	F DKO L	M12 x 1	4 mm	532-32491-1
	F DKO LL	M10 x 1	4 mm	532-32492-1
	Hose coupling, straight DKO L	M10 x 1	4 mm	532-32456-1
6	Hose stud 90°			
	F DKO L	M12 x 1	4 mm	532-32301-1
	F DKO LL	M10 x 1	4 mm	532-32302-1

Press dimension on inquiry

For high-pressure hose KF400

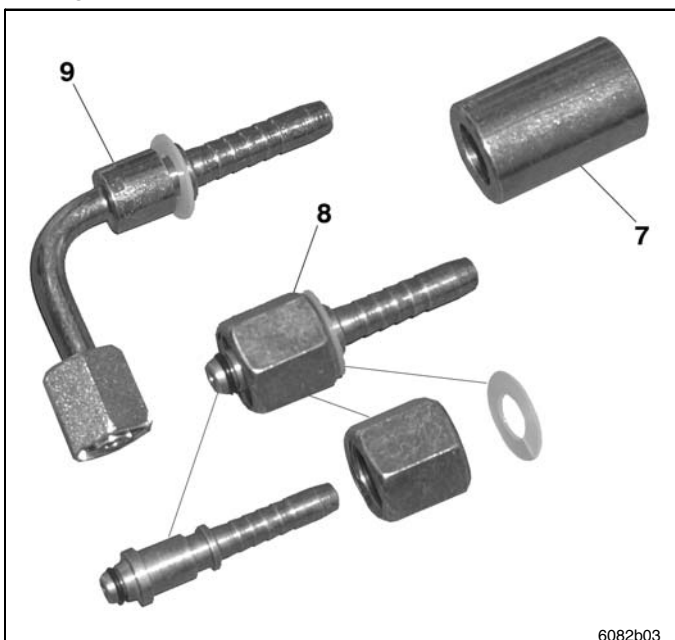


Fig. 17-6 DKO L hose stud for KF400

Item	Designation	Thread	Outer tube \varnothing	NW	Part no.
7	Compression sleeve DKO L			6 mm	226-10087-7
8	Hose stud, straight				
	DKO L	M12 x 1.5	6 mm	6 mm	226-10087-2
	DKO L	M14 x 1.5	8 mm	6 mm	226-10087-3
	DKO L	M16 x 1.5	10 mm	6 mm	226-10087-4
	Hose stud 90°				
9	DKO L	M12 x 1.5	6 mm	6 mm	226-10087-5
	DKO L	M14 x 1.5	8 mm	6 mm	226-10087-6
	DKO L	M16 x 1.5	10 mm	6 mm	226-10087-8

Press dimension on inquiry

Lines and Accessories, continuation

Threaded sleeve and hose stud

For high-pressure hose KF300

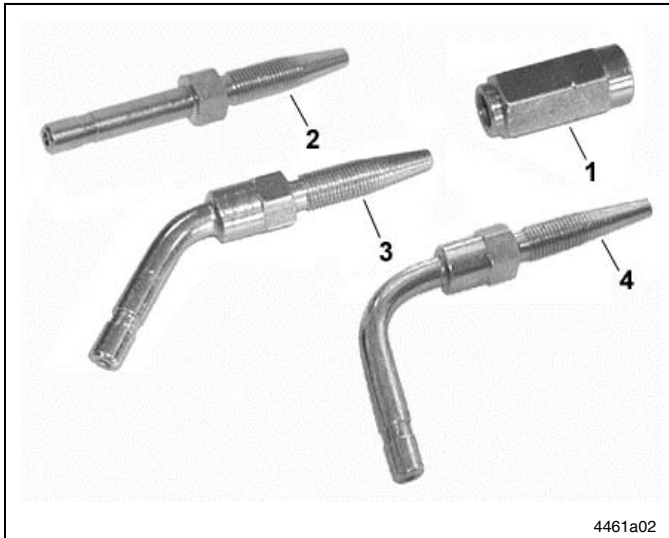


Fig. 17-7 Threaded sleeve and hose stud for high-pressure hose KF300

Item	Designation	Stud \varnothing	NW	Part no.
Standard design				
1	Threaded sleeve			432-23031-1
2	Hose stud, straight 21.5 mm (short)	6 mm	4 mm	432-24162-1
	Hose stud, straight 30 mm (long)	6 mm	4 mm	432-23067-1
3	Hose stud, 45° (short)	6 mm	4 mm	532-32183-1
4	Hose stud, 90° (short)	6 mm	4 mm	532-30739-1
	Hose stud, 90° (short)	6 mm	4 mm	532-31949-1
	Hose stud, 90° (long)	6 mm	4 mm	532-30738-1
	Hose stud, 90° (long)	6 mm	4 mm	532-32425-1

High-grade steel

1	Threaded sleeve			432-23676-1
2	Hose stud, short	6 mm	4 mm	432-23675-1

(For manual pressing only)

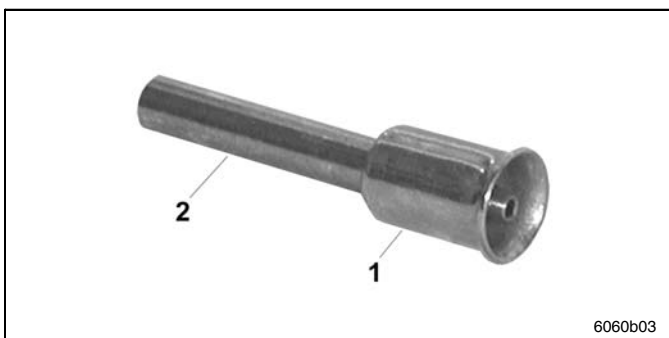


Fig. 17-8 Manual press-fit hose couplings

Item	Designation	Stud \varnothing	NW	Part no.
1	Compression sleeve F 4 & 6 mm			226-12490-1
	Hose stud F	4 mm	4 mm	432-21785-4
2	Hose stud F long	6 mm	4 mm	432-22488-2
	Hose stud F short	6 mm	4 mm	432-22539-1
	Hose stud F	6 mm	5 mm	432-22966-1
	Hose stud F for Quick-linc 90°	6 mm	4 mm	432-21786-4

Tube clamp with rubber lining



Fig. 17-9 Tube clamp with rubber lining

Tube \varnothing in mm	Fixing borehole in mm	Part no.
6	5.5	226-12557-1
9	5.5	226-12557-2
10	5.5	226-12557-7
12	5.5	226-12557-3
15	5.5	226-12557-4
20	5.5	226-12557-6

Subject to modification

Lines and Accessories, continuation

Fixing parts for tube clamp

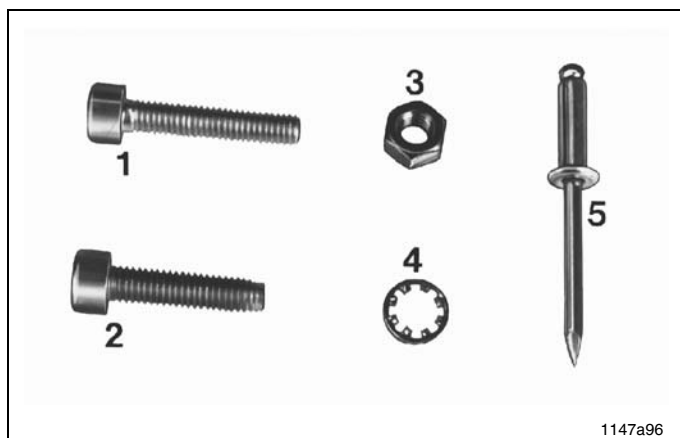


Fig. 17-10 Fixing parts for tube clamp

Item	Designation	Dimension	Part no.
1	Pan head screw	AM 5 x 16 C	201-12040-7
	Hexagon head screw	M 5 x 45 C	200-13017-5
2	Self-tapping screw	EM 5 x 16 Z	206-13710-1
		M 5 x 10	206-12124-5
		CM 5 x 40 Z	206-13710-2
3	Nut	M 5 C	207-12138-2
4	Tooth-lock washer	J 5.3 Z	210-12161-9
5	Blind rivet	D 4 x 12	206-12584-1

Tube clamp

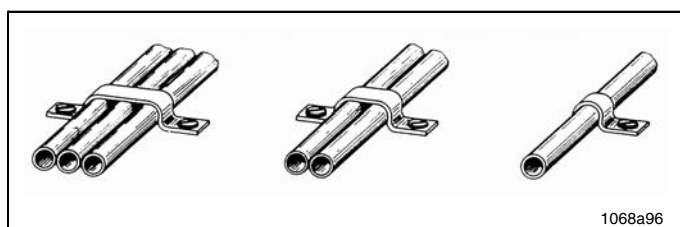


Fig. 17-11 Tube clamp

Width 10 mm, material thickness 1 mm, bore \varnothing 4,8 mm

Number of tubes	Tube \varnothing	Part no.
1	6 mm	226-12335-7
1	8 mm	226-12337-1
2	8 mm	226-12337-2
3	8 mm	226-12337-3
4	8 mm	226-12337-4
5	8 mm	226-12337-5
6	8 mm	226-12337-6

Self-tapping screw

Designation	Thread	Part no.
galvanized	M 4 x 8	206-12123-3
galvanized	BM 6 x 12	206-12125-3

Tube clamp ¹⁾

¹⁾ High-grade steel 1.4571

Number of tubes	Tube \varnothing	Part no.
1	6 mm	226-13716-1
2	6 mm	226-13716-2
3	6 mm	226-13716-3
4	6 mm	226-13716-4
5	6 mm	226-13716-5
1	8 mm	226-13717-1
2	8 mm	226-13717-2
3	8 mm	226-13717-3
4	8 mm	226-13717-4

Lines and Accessories, continuation

Plastic helix



1 148a96

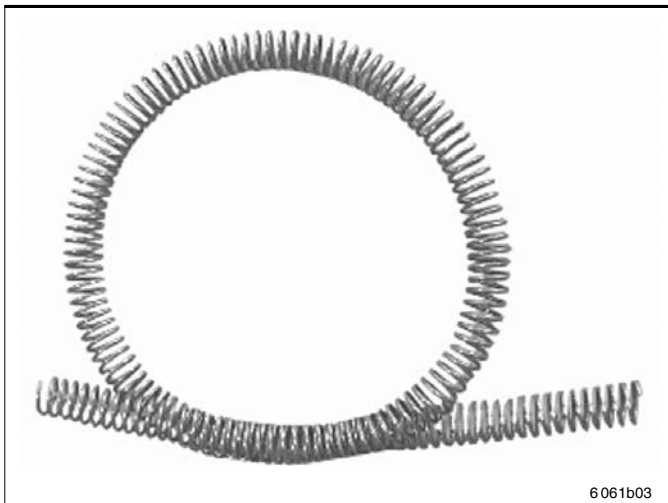
Fig. 17-12 Plastic helix

Ø in mm	Length ¹⁾	Part no.
6	10 m	113-35075-2
12	25 m	113-35075-3

The plastic helix serves to bundle several tubes together. It also protects the tube lines from wearing through.

¹⁾ available for order per meter

Spring coil



6 061b03

Fig. 17-13 Spring coil

Dimensions in mm	Part no.
High-grade steel 1.4310	
DI 9 x 1.2 x 5000	111-35306-1
DI 17 x 1.8 x 5000	111-35306-2
DI 6.1 x 1.2 x 5000	111-35306-3

The spring coil serves as a protection against the wearing through of hose lines.

Hose strap



1 149a96

Fig. 17-14 Hose strap

Designation		Part no.
short	186 x 4.8 mm	226-12490-3
long	360 x 4.8 mm	226-13095-1

Lines and Accessories, continuation

Adhesive clamp



1150a96

Fig. 17-15 Adhesive clamp

Dimensions	Part no.
28 x 28 mm	226-13095-6

Spacer



1151a96

Fig. 17-16 Spacer

Part no.
432-23774-1

For the attachment of pressure plastic tubes (\varnothing 6x1.5 mm) to existing tube lines. Attach the pressure plastic hoses and the spacer by means of a hose strap.

MaterialCR (Clorophene caoutchouc)

Cable sleeves



1152a96

Fig. 17-17 Cable sleeves

For tube \varnothing	Part no.
6	237-13375-1
9	237-13375-2
15	237-13375-3

Used for the connection on frames, etc.

Lines and Accessories, continuation

Push-in type coupling without return line (cannot be coupled under pressure)

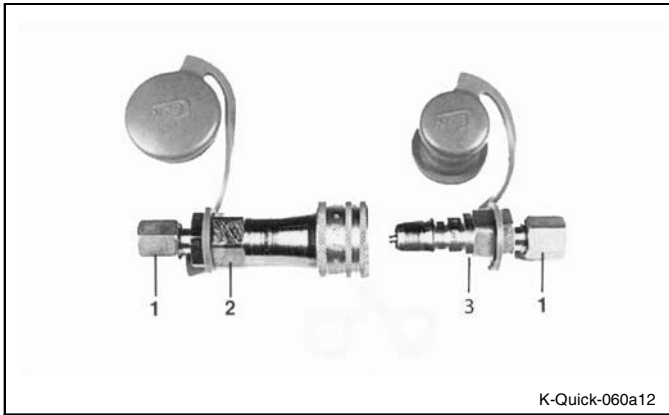


Fig. 17-18 Push-in type coupling without return line (cannot be coupled under pressure)

Item	Designation	Part no.
	Coupling assy	504-36804-5
	Consisting of:	
1	GE 6 - LG1/4 AC	223-12477-8
2	Coupling with dust protection	504-32125-1
3	Nipple with dust protection	251-14073-1



6001a02

IMPORTANT NOTE

If the system is put into operation although items 2 and 4 are separated, the coupling (item 2) **must** be connected to the pump via a return line.

Screw-type coupling without return line (can be coupled under pressure)

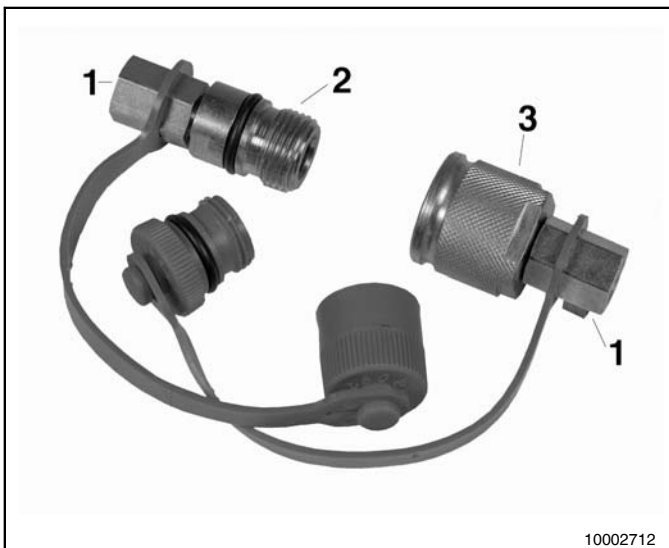


Fig. 17-19 Screw-type coupling without return line (can be coupled under pressure)

Item	Designation	Part no.
	Coupling assy	504-36804-6
	Consisting of:	
1	GE 6 - LG1/4 AC	223-12477-8
2	Nipple with dust protection	251-14073-4
3	Coupling with dust protection	226-13728-2



6001a02

IMPORTANT NOTE

If the system is put into operation although items 2 and 3 are separated, the coupling (item 3) **must** be connected to the pump via a return line.

Accessories for Central Lubrication Pump Models 203

Pump elements

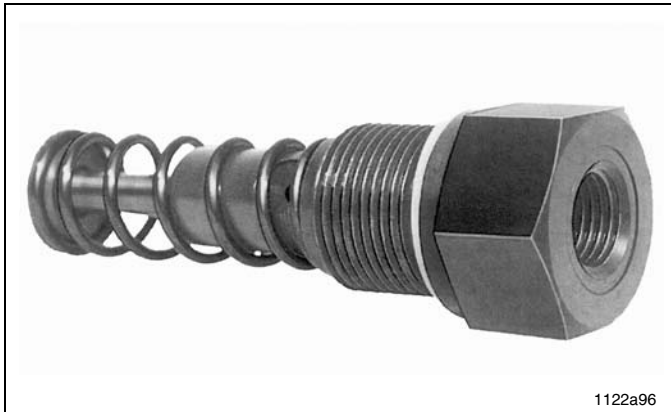


Fig. 18-1 Pump elements with fixed lubricant output

with fixed lubricant output

Type	Piston Ø	Male thread	Lubricant output	Female thread	Part no.
K5	5 mm	M22 x 1.5	2.0 cm ³ /min	G ¼"	600-26875-2
K6	6 mm	M22 x 1.5	2.8 cm ³ /min	G ¼"	600-26876-2
K7	7 mm	M22 x 1.5	4.0 cm ³ /min	G ¼"	600-26877-2
¹⁾ C7	7 mm	M22 x 1.5	4.0 cm ³ /min	G ¼"	600-28750-1
²⁾ S7	7 mm	M22 x 1.5	4.0 cm ³ /min	G ¼"	600-29110-1

¹⁾ Pump element for supplying of chisel paste

²⁾ Pump element suitable with grease based on silicon oil

The 203 pumps, which are designed for use on commercial vehicles, are equipped with one pump element K 6. For industrial applications, select the pump elements according to the above-mentioned table.

Each pump element must be **secured with a safety valve**. See under **Pressure relief valves** (see Fig. 19-1 ff).



Fig. 18-2 Pump elements with fixed lubricant output and bypass check valve

For application in the beverage industry ³⁾

Type	Piston Ø	Male thread	Lubricant output	Female thread	Part no.
K5	5 mm	M22 x 1.5	2.0 cm ³ /min	G ¼"	600-29303-1
K6	6 mm	M22 x 1.5	2.8 cm ³ /min	G ¼"	600-29304-1
K7	7 mm	M22 x 1.5	4.0 cm ³ /min	G ¼"	600-29305-1

with bypass check valve ³⁾

Type	Piston Ø	Male thread	Lubricant output	Female thread	Part no.
B7	7 mm	M22 x 1.5	2.0 cm ³ /min	G ¼"	600-29185-1

³⁾ chemical, galvanized pump elements

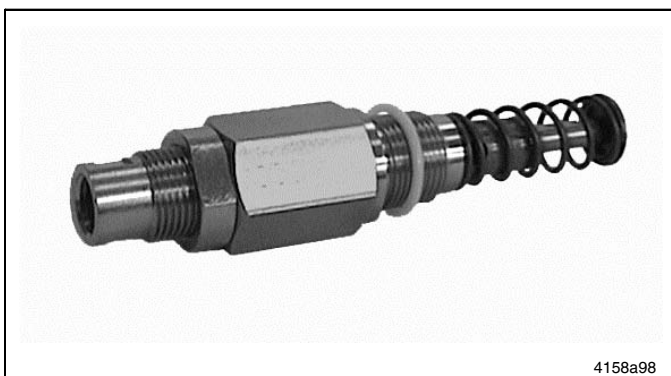


Fig. 18-3 Pump elements with adjustable lubricant output

with adjustable lubricant output

Type	Piston Ø	Male thread	Lubricant output	Female thread	Part no.
KR	7 mm	M22 x 1,5	0,7 - 3,0 cm ³ /min	G ¼"	655-28716-1

Each pump element must be **secured with a safety valve**. See under **Pressure relief valves** (see Fig. 19-1 ff).

Return-line connector with filler fitting

Designation	Part no.
Return-line connector for pump with 2 l reservoir	504-30698-1
Return-line connector with adapter and straight filler fitting for pump with 2 l flat-type reservoir, 4 l- and 8 l-reservoir	504-36071-5
Return-line connector with adapter and 90° filler fitting	504-36071-6

The return-line connector with filler fitting is designed to feed grease quantities that are not required back into the pump. It is installed instead of a normal filler fitting.



Fig. 18-4 Return-line connector with filler fitting

Accessories for Central Lubrication Pump Model 203, cont.

Return-line connector, push-in type or screw type



Fig. 18-5 Return-line connector, push-in type or screw type
The return-line connection is designed to feed grease quantities that are not required back into the pump. It is installed instead of a closure plug (pump element).

Designation	Part no.
Return-line connector, push-in type	
Adapter M22 x 1.5a x G1/8 i	304-19619-1
WEDK 6520-6-1/8-S01	226-13756-8
Closure plug D6	226-13797-3
Return-line connector, screw type	
Adapter M22 x 1.5a und G 1/8i	304-19619-1
WE 6-LLR1/8 KC ¹⁾	223-12485-9
Adapter M22 x 1.5 x R 1/4 IC	304-17571-1
GE 6-LG1/4 AC ¹⁾	223-12477-8
Dowel pin	215-12194-4



6001a02

¹⁾NOTE

Other fittings with 1/8" thread may be used on request.

¹⁾ Connecting bore for filler fitting

Quick filling connection, pump 203 with filter

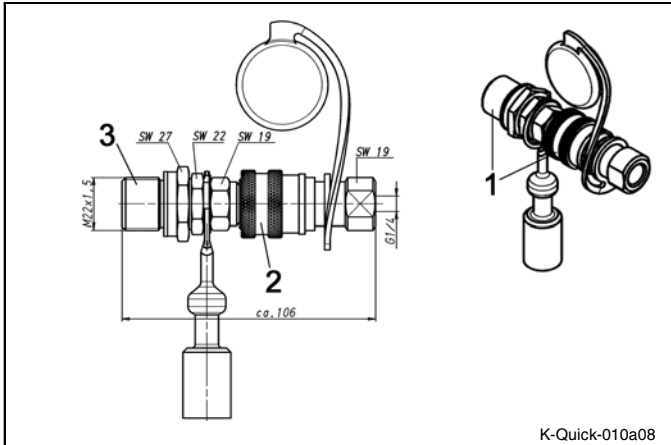


Fig. 18-6 Quick filling connection, pump 203 with filter

Designation	Thread	Part no.
1 Filler fitting with coupling plug and filter, assy. (pos. 2 & 3)		540-36753-5
2 Coupling plug with protective cap		504-32125-1
3 Filler fitting without coupling plug; with filter ¹⁾	M22 x 1.5	540-31800-1
3a Filler fitting without coupling plug; without filter ¹⁾	M22 x 1.5	504-36071-7
Protective cap ¹⁾		233-10765-3

For a quicker filling with a hand-operated or pneumatic pump.

¹⁾ Protection cap for replacement

Quick filling connection, pump 203 without filter



Fig. 18-7 Quick filling connection, pump 203 without filter

Designation	Thread	Part no.
Filler fitting without coupling plug with protective cap	G 1/4 ¹⁾	544-36961-1
Coupling plug with protective cap		504-32125-1
Protective cap ²⁾		233-10765-3

For a quicker filling with a hand-operated or pneumatic pump.

¹⁾ Connecting bore for filler fitting

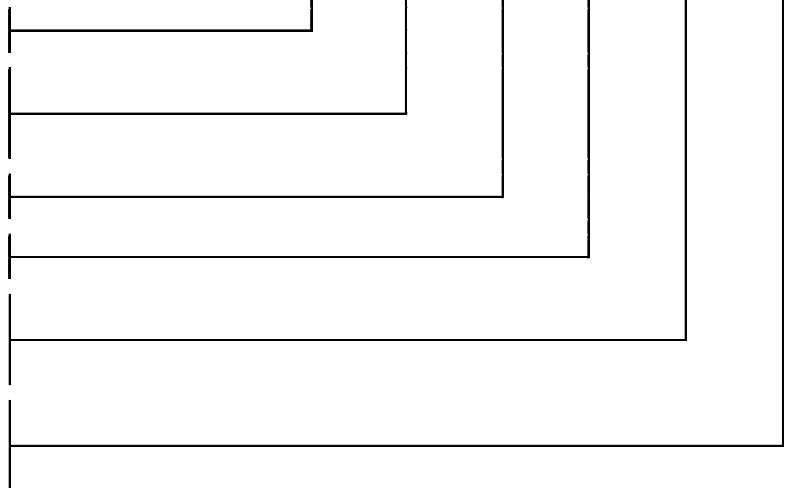
²⁾ Protection cap for replacement

Subject to modification

Identification Code – Pressure Relief Valves

Code examples

SV	-	200	-	R 3/8 A						
SV	-	TE	-	350	-	R 1/4 A	-	D6		
SV	-	EVT	-	350	-	G 1/4 A	-	D8		
SV	-	EVT	-	350	-	M 14x1.5 i	-	D6		
SV	-	S	-	350	-	6	-	1/4	-	6



Basic type

SV = Pressure relief valve

Design of the pressure relief valve

TE = with TE fitting
EVT = with EVT stud
S = cross-chaped fitting

Max. pressure

in bar (fixed setting)

Connection for grease return

Type of connection (pump element)

R 1/4 A = male thread R 1/4 conical
G 1/4 A = male thread G 1/4 cylindrical
M 14 x 1.5 i = female thread M 14 x 1.5

Type of connection (main line)

D 6 = cutting ring fitting for tube D 6
D 8 = cutting ring fitting for tube D 8
6 = push-in type fitting for hose stud D 6

Pressure Relief Valves

Pressure relief valve, screw type

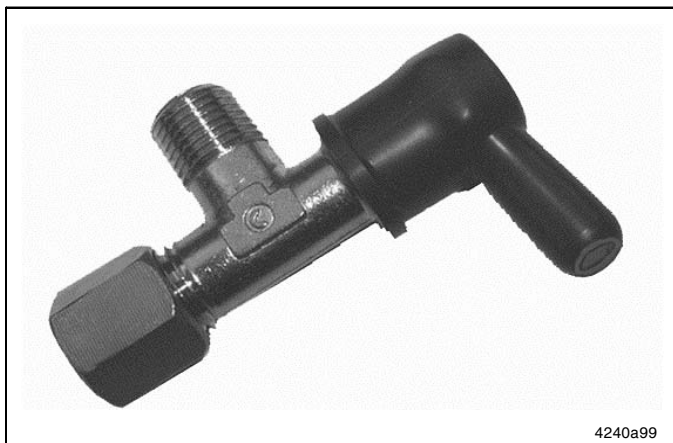


Fig. 19-1 Pressure relief valve, screw type

Ausführung	Sach-Nr.
SVTE - 350 - 1/4 - D 6	624-28894-1
SVTE - 350 - 1/4 - D 6, Emergency lubrication fitting, left-hand	624-28896-1
SVTE - 350 - 1/4 - D 6, Emergency lubrication fitting, right-hand	624-28897-1
SVTE - 350 - 1/4 - D 8	624-28895-1
SVTE - 270 - 1/4 - D 6	624-28892-1
SVTE - 270 - 1/4 - D 8	624-28893-1
SVTE - 200 - 1/4 - D 6	624-28891-1
SVTE - 350 - 1/4 - D 10	624-77422-1

Adapter for 2 l flat-type reservoir, 4 l, 8 l reservoir, nipple S 2520 - 1/4 - 1/4 - 25 226-14105-5

Select an adequate pressure relief valve for the respective pump element.

Cutting ring and coupling nut



Fig. 19-2 Cutting ring and coupling nut

Design	Part no.
Coupling nut, ST M 6-S C	223-13032-2
Cutting ring, ST D 6-L/S	223-12295-3

Subject to modification

Pressure Relief Valves, continuation

Pressure relief valve, push-in type

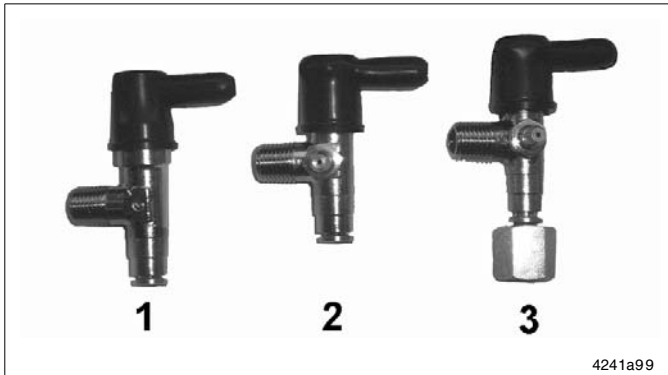


Fig. 19-3 Pressure relief valve, push-in type

Item	Design	Part no.
1	SVTS - 350 - 1/4 - 6	624-28860-1 ¹⁾
1	SVTS - 200 - 1/4 - 6	624-28861-1
	SVTS - 350 - 1/4 - 6, Emergency lubrication fitting, right-hand	624-28858-1
2	SVTS - 350 - 1/4 - 6, Emergency lubrication fitting, left-hand	624-28867-1
3	SVTS - 270 - 1/4 - 1/8NPTFI, Emergency lubrication fitting, right-hand	624-28859-1
	Adapter for 2 l flat-type reservoir, 4 l, 8 l reservoir, nipple S2520-1/4-1/4-25	226-14105-5

¹⁾ Dimensions see Fig. 27-13

Select an adequate pressure relief valve for the respective pump element.

Kit : Pressure relief valve assembly with grease return to the reservoir

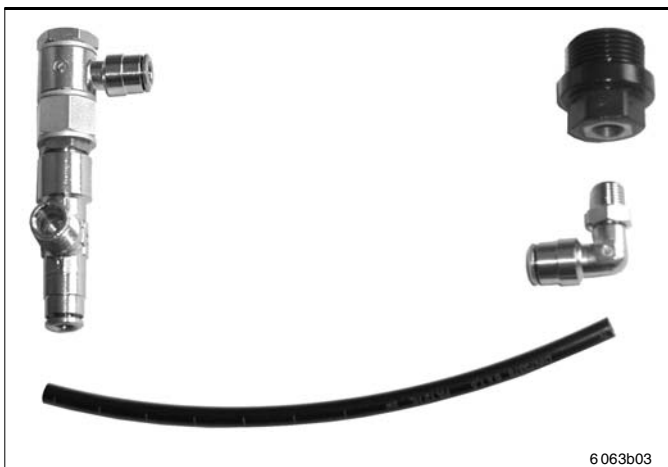
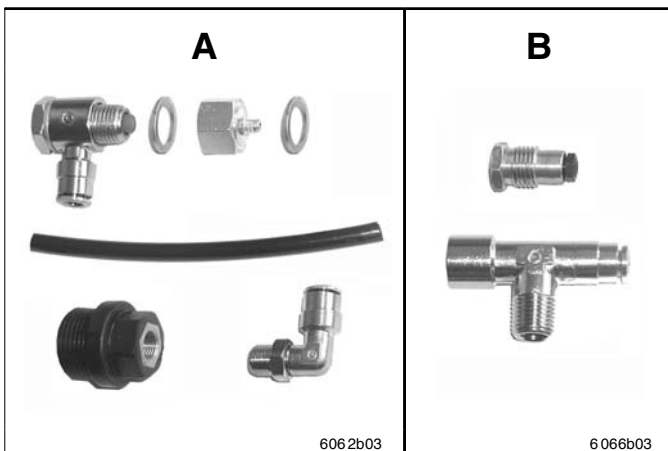


Fig. 19-4 Kit: Pressure relief valve assembly with grease return to the reservoir

Design	Part no.
SVS - 350 - 6 - 1/4 - 6	624-28931-1
SVS - 200 - 6 - 1/4 - 6	624-29087-1

Retrofit Kit: Pressure relief valve with grease return to the reservoir



	Part no.
A Parts of the retrofit kit	524-32231-1
B Existing parts	

Subject to modification

Fig. 19-5 Retrofit Kit: Pressure relief valve with grease return to the reservoir

Pressure Relief Valves, continuation

Valve inserts for new pressure relief valves



4 195a99

Fig. 19-6 Valve inserts for new pressure relief valves

Design	Part no.
Valve insert, SV 250 bar	235-14343-7
Valve insert, SV 350 bar	235-14343-3
Valve insert, SV 270 bar	235-14343-2
Valve insert, SV 200 bar	235-14343-1
Valve insert, SV 120 bar	235-14343-5
Valve insert, SV 80 bar	235-14343-4

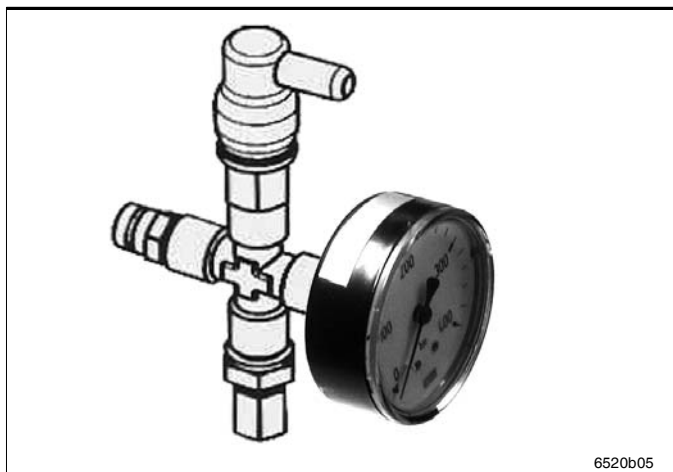


6001a02

NOTE

The valve inserts are provided with a pressure indication (e.g. 350) on the hexagon surface (top).

Pressure gauge



6520b05

Fig. 19-7 Pressure gauge with connecting fitting

Design	Part no.
Pressure gauge 0 - 400 bar with valve SVKSV-350-1/4-D6	624-29426-1

Brackets



4 165a98

Fig. 19-8 Bracket

For fixing	Part no.
Pump 203 CS, universal and main metering device Bracket ¹⁾	307-19544-1

Pressure Relief Valves, continuation

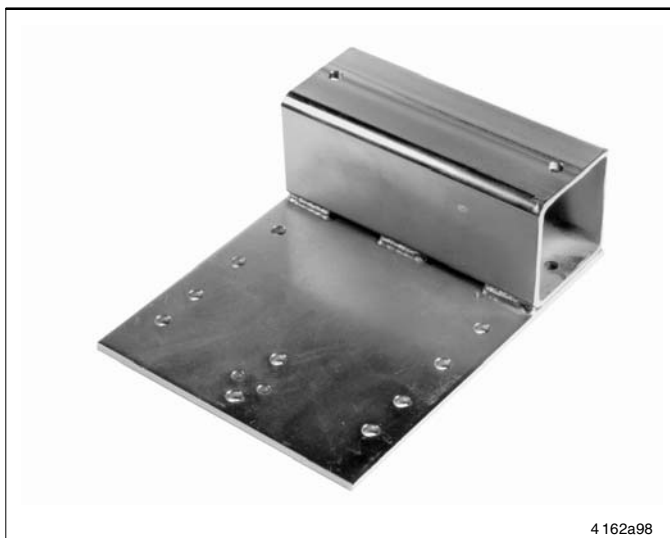


Fig. 19-9 Bracket

Brackets, continuation

For fixing	Part no.
Only for pump 203 and main metering device	307-19644-1 ¹⁾
¹⁾ Dimensions see Fig. 28-1	

Electrical Accessories for Central Lubrication Pump Model 203 without Control

PSG control unit



Fig. 20-1 PSG control unit

Voltage	Time setting	Part no.
24 VDC	Pause time : 6 Std. Lubricating time : 2 Min.	236-13834-1
24 VDC	Pause time : 4 Std. Lubricating time : 4 Min.	664-36875-1

Illuminated pushbutton

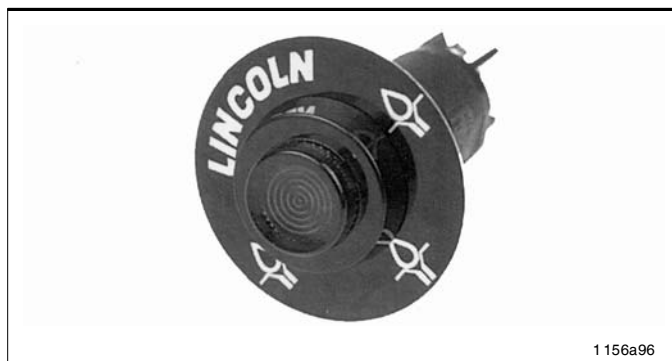


Fig. 20-2 Illuminated pushbutton

Voltage	Lamp	Part no.
12 V	green	664-36070-5
24 V	green	664-36070-6
12 V	red ²⁾	664-34005-5
24 V	red ²⁾	664-34005-6
²⁾ only for fault indication of pumps 223/233		

Subject to modification

Electrical Accessories, continuation for Central Lubrication Pump Model 203 without Control

Illuminated pushbutton, continuation



Fig. 20-3 Illuminated pushbutton

Voltage	Lamp	Part no.
24 V	green	236-10280-6

Fuse holder with fuse



Fig. 20-4 Fuse holder with fuse

Strength of current	Part no.
5 A	237-13321-8
8 A	237-13426-1
10 A	237-13426-7



IMPORTANT

The fuse holder with fuse must always be connected upstream of each control unit to protect the control unit against short-circuits.

for Metering Device Model SSV

Piston detector (proximity switch, 2-wire)



Fig. 21-1 Piston detector (proximity switch, 2-wire)

Designation	Length	Thread	Part no.
Piston detector for monitoring of SSV metering devices with FLRY			
Cable without AMP plug	3 m	M11 x 1	519-34271-2
Cable without AMP plug (PU)	5 m	M11 x 1	519-34271-4
Cable with AMP plug	3 m	M11 x 1	519-34271-7
Cable with AMP plug	7 m	M11 x 1	519-34271-8

in high-grade steel (V4A) with

Cable without AMP plug	2 m	M11 x 1	519-34339-1
------------------------	-----	----------------	-------------



NOTE

The piston detector (proximity switch) is not part of the metering device.

Electrical Accessories, continuation for Metering Device Model SSV

Extension cable for piston detector (only as spare part)



0 0002624

Fig. 21-2 Extension cable for piston detector

Design	Length	Part no.
Cable assembly with AMP plug and socket outlet	4 m	664-36862-9

Connecting cable for two piston detectors (only as spare part)



0 0002625

Fig. 21-3 Connecting cable for two piston detectors

Design	Length	Part no.
AMP cable assembly with two socket outlets	0.6 m	664-36889-6

Detector cable (only as spare part)



4 164a98

Fig. 21-4 Detector cable

Design	Length	Part no.
AMP detector cable	10 m	664-36884-7



6001a 02

NOTE

For longer distances.

Electrical Accessories, continuation for Metering Device Model SSV

Piston detector (proximity switch, 3-wire) for industrial applications, high-grade steel (1.4571)



Fig. 21-5 Piston detector (proximity switch, 3-wire) for industrial applications, high-grade steel (1.4571)

Designation	Length	Thread	Part no.
Piston detector ¹⁾ for monitoring of the SSV metering devices with integrated plug without cable		M11x1	519-34339-5
Accessories			
Cable box		M12	237-13442-4
90° angular socket with cable	5 m	M12	237-13442-6
Straight socket with cable	10 m	M12	236-10022-7



6001a02

¹⁾ **NOTE**

A use in combination with pump 203 and microprocessor control is not possible.

Piston detector (proximity switch, 2-wire) for pumps 203, 223/233



Fig. 21-6 Piston detector (proximity switch, 2-wire) for pumps 203, 223/233

Designation	Length	Thread	Part no.
Piston detector for monitoring of the SSV metering devices cable with bayonet plug	3 m	M 11 x 1	519-34339-3
cable with bayonet plug	7 m	M 11 x 1	519-34339-4

Connecting cable for two piston detectors



Fig. 21-7 Connecting cable for 2 piston detectors with bayonet plug

Design	Length	Part no.
bayonet plug, assy. for two piston detectors	0.6 m	664-34195-6

Electrical Accessories, continuation for Metering Device Model SSV

Detector cable



4 164b05

Fig. 21-8 Connecting cable for piston detector with bayonet plug

Design	Length	Part no.
Bayonet detector cable	10 m	664-34167-9

Limit switch (KS), as spare part only



1 0002722

Fig. 21-9 Limit switch (KS), as spare part only

Design	Part no.
Limit switch with accessories	519-36713-7
Limit switch V3S + VL1	236-13281-2

Proximity switch (KN), as spare part only



1 0002723

Fig. 21-10 Proximity switch (KN), as spare part only

Design	Switching mode	Part no.
B I 2-G12K-AP6X	PNP	234-13134-3
B I 2-G12K-AN6X	NPN	234-13134-5
Adapter with stop ring		519-30911-1

Subject to modification

Accessories for SSV Metering Devices

Mounting angle



Fig. 22-1 Mounting angle

For fixing of	Part no.
SSV metering device	432-23982-1 ¹⁾

¹⁾ Dimensions see Fig. 29-2

Bracket

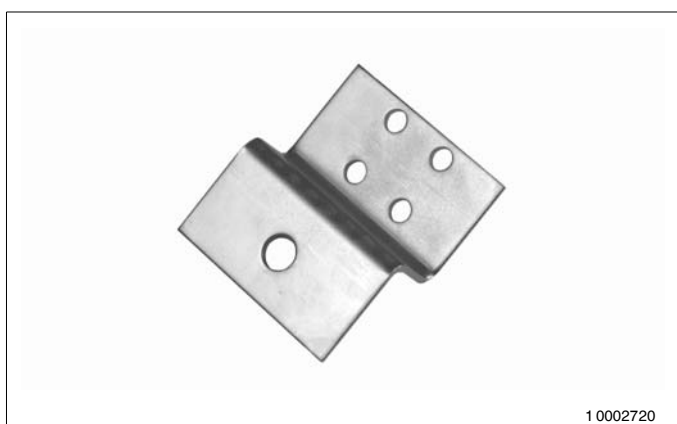


Fig. 22-2 Bracket

For fixing of	Part no.
SSV metering device	307-19543-1 ²⁾

²⁾ Dimensions see Fig. 29-1

Accessories for Manually Operated Systems

Lubrication fitting blocks, screw type



Fig. 23-1 Lubrication fitting block, lubrication fitting without check valve

No. of lubrication fittings	Thread	Part no.
1 without check valve	R 1/8 female	532-32248-1

If the metering device is installed at a place of difficult access for the lubrication, the lubrication points can be made accessible by means of lubrication fitting blocks or tube filters.



Fig. 23-2 Lubrication fitting block, lubrication fitting with check valve

No. of lubrication fittings	Thread	Part no.
1 with check valve	R 1/8 female	504-37184-2

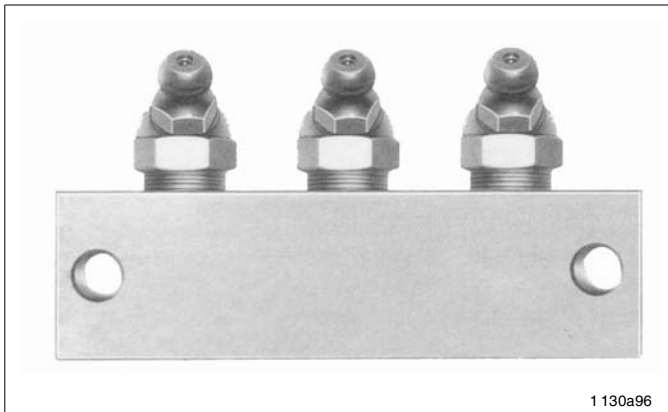


Fig. 23-3 Lubrication fitting block for 1-3 connections without check valve

No. of lubrication fittings	Thread	Part no.
3 without check valve	R 1/8 female	504-37211-1
2 without check valve	R 1/8 female	504-37210-1

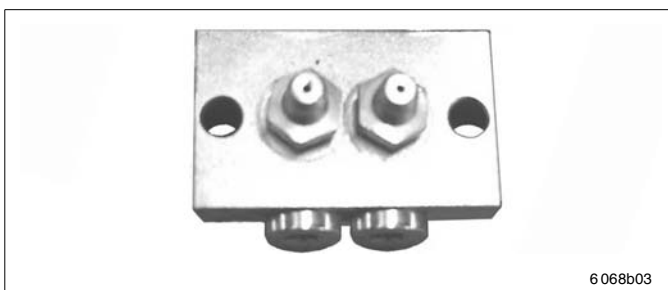


Fig. 23-4 Lubrication fitting block for 1-2 connections, variable connecting possibilities

No. of lubrication fittings	Thread	Part no.
2	R 1/8 female	532-32454-1

Consisting of:
 Lubrication fitting block 432-70024-1
 Hydraulic lubrication fitting + RV ST AR 1/8 251-14109-6
 Closure plug 5.8 G 1/8 A C 203-12074-1

Subject to modification

Accessories for Manually Operated Systems, continuation

Lubrication fitting block, push-in type

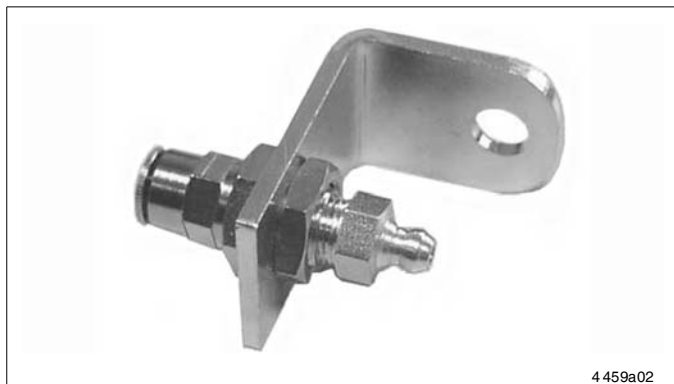


Fig. 23-5 Lubrication fitting block, push-in type

Part no.

532-32131-1

Lubrication fitting with check valve
Connection for high-pressure plastic hose with hose stud and threaded sleeve.

Tube filter



Fig. 23-6 Tube filter

Designation

Thread

Part no.

SF1-G1/4 + lubrication fitting G 1/4 female 628-36062-3

The tube filter is an additional protection in application areas where there is a strong contamination (e.g. erection sites, etc.)

Lubricant filter SF1-G1/4 628-26452-2
Coarse strainer, transmissibility 410/1000 428-21544-1
Lubrication fitting 532-31537-3

Filter block

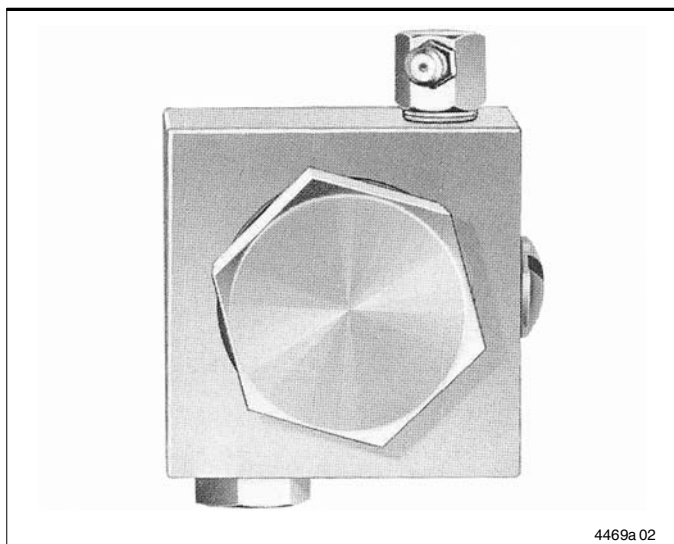


Fig. 23-7 Filter block

Designation

Outlet connection

Part no.

Lubricant filter unit with hydraulic lubrication fitting G 1/4 A 528-36045-6

Lubricant filter unit with elbow fitting and hydraulic lubrication fitting G 1/4 A 528-36876-2

The filter block is an additional protection in application areas where there is a strong contamination (e.g. erection sites, etc.).

Tools



Fig. 24-1 Special screwdriver for closure plugs on SSV metering devices
Part no.: 404-22614-1



Fig. 24-2 Assembly stud for hose coupling
Part no.: 432-23077-1



Fig. 24-3 Special cutter for plastic tube
Part no.: 226-12508-5

Spare blade 226-13095-7

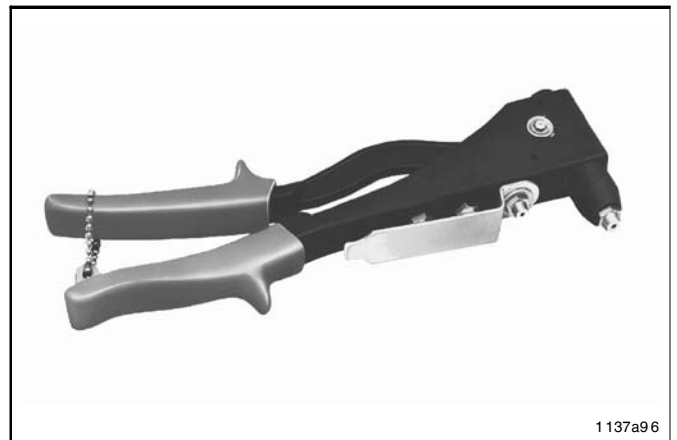


Fig. 24-4 Blind rivet hand tool
Blind rivet tool Part no.: 226-1 2508-6¹⁾
Compression sleeve Ø 9 mm 226-1 2490-1

Hose fitting tool for compression sleeve 226-1 2490-2
Hose stud Ø 6 x 34 mm 432-2 2539-1
Hose stud Ø 6 x 46 mm 432-2 2488-2

¹⁾ for blind rivet Ø 4 x 12 mm, see pos. 5 (Fig. 17-10)



Fig. 24-5 Set for checking pressure and function:
i.a. other hand-lever press 1142,
pressure gage D63 0-600 bar and fitting
Part no.: 604-36879-1

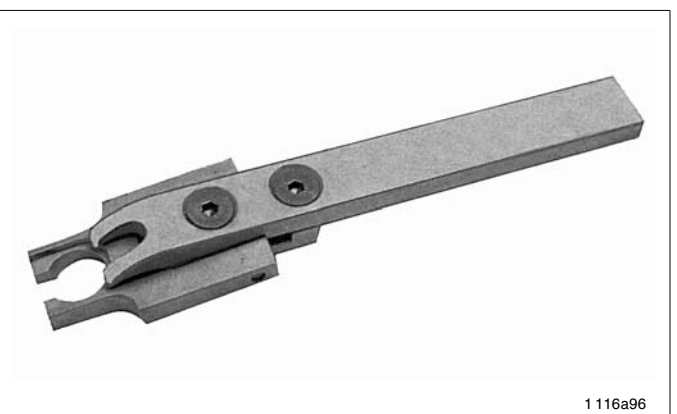


Fig. 24-6 Special tool for loosening the push-in type fittings
Part no.: 532-31847-1

Subject to modification

Tools, continuation



Fig. 24-7 Assembly tool for adapter ring, 4- and 8 L reservoirs

Part no.:
544-32017-1



Fig. 24-8 Assembly tool for 2 L reservoir

Part no.:
544-32019-1



Fig. 24-9 Assembly tool for 2 L flat-type reservoir, 4- and 8 L reservoir

Part no.:
544-32018-1

Filling Pumps for Cartridge Filling (400 ccm Cartridge)

Kit: Filling pump with straight connection fitting, 2L reservoir (standard)

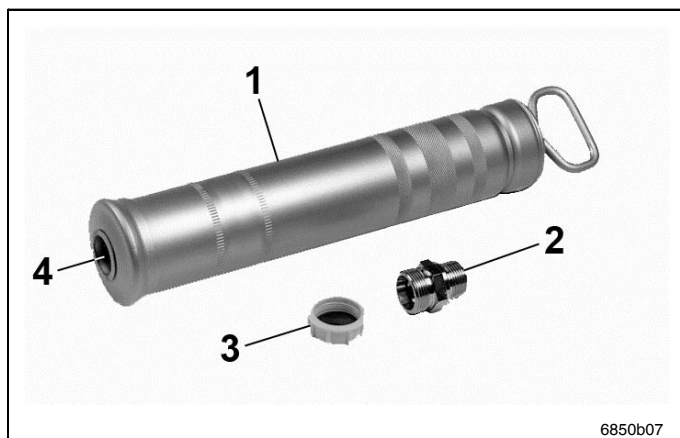


Fig. 25-1 Kit: Filling pump with straight connecting fitting

Pos.	Description	Part no.
1	Pump incl. connecting parts, assy.	638-37549-1
2	Filling connection, straight with protection cap	538-36763-1
3	Protective cap, fitting	M26 x 1,5 233-13090-9
4	Protective plug, pump	M26 x 1,5 233-13124-8

Filling Pumps, continuation for Cartridge Filling (400 ccm Cartridge)

Kit: Filling pump with 90° connection fitting, 2 L reservoir

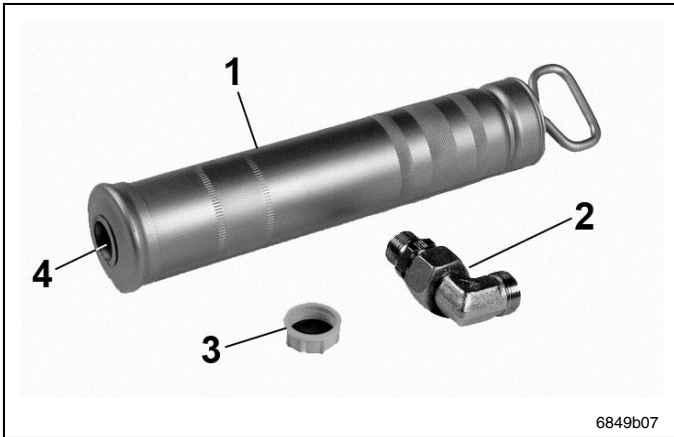


Fig. 25-2 Kit: Filling pump with 90° connection fitting, 2L reservoir

Pos.	Description	Part no.
1	Pump incl. connecting parts, assy.	638-37548-1
2	Filling connection, 90° incl. protection cap	538-36763-2
3	Protective cap, fitting	M26 x 1.5 233-13090-9
4	Protective plug, pump	M26 x 1.5 233-13124-8

Kit: Filling pump with straight connection fitting, 2 L flat-type reservoir

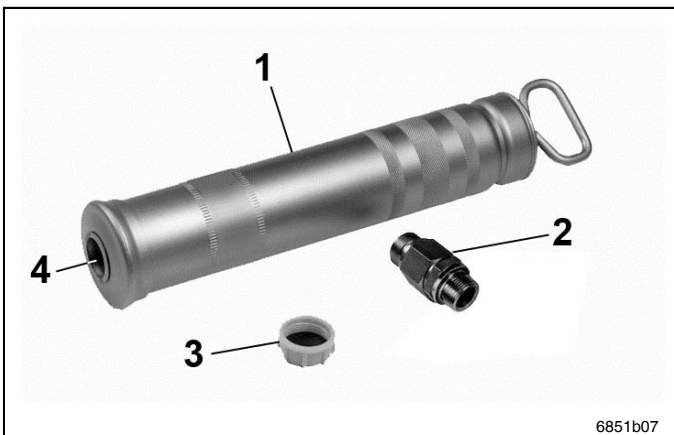


Fig. 25-3 Kit: Filling pump with straight connection fitting, 2L flat-type reservoir

Pos.	Description	Part no.
1	Pump incl. connecting parts, assy.	638-37549-2
2	Filling connection, straight incl. protection cap	538-36763-5
3	Protective cap, fitting	M26 x 1.5 233-13090-9
4	Protective plug, pump	M26 x 1.5 233-13124-8

Kit: Filling pump with 90° connection fitting (2 L flat-type, 4 L, 8 L reservoir)

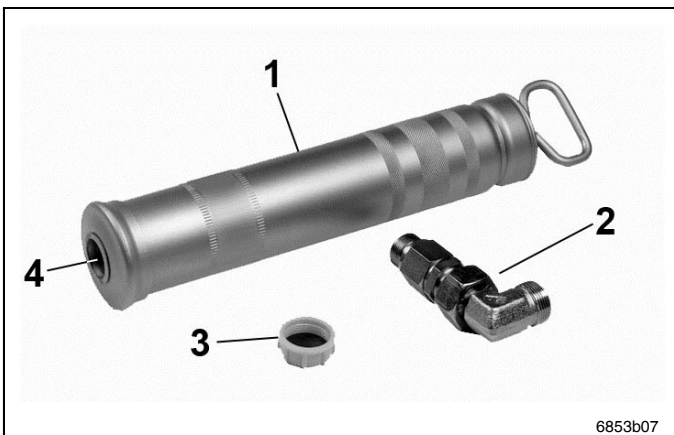


Fig. 25-4 Kit: Filling pump with 90° connection fitting (2 L flat-type, 4 L, 8 L reservoir)

Pos.	Description	Part no.
1	Pump incl. connecting parts, assy.	638-37561-1
2	Filling connection, 90° incl. protection cap	538-36763-4
3	Protective cap, fitting	M26 x 1.5 233-13090-9
4	Protective plug, pump	M26 x 1.5 233-13124-8

Subject to modification

Filling Pumps, Accessories for Cartridge Filling (400 ccm Cartridge)

Filling pump without connecting parts



Fig. 25-5 Filling pump without connecting parts

Part no.		
... incl. protective plug	M26 x 1.5	244-14161-1



Fig. 25-6 Filling pump without connecting parts

Part no.		
		244-14161-2

Lever gun



Fig. 25-7 Lever gun

Part no.		
		001142

Holding clamp



Fig. 25-8 Holding clamp

Part no.		
		00G160

Pump, Hand-Operated, for Greases up to NLGI Grade 2



Fig. 26-1 Pump, hand-operated, for greases up to NLGI grade 2 (50 kg)

Drum weight	Stationary	Mobile	Part no.
15 kg	X		244-14125-1
18 kg	X		244-14125-7
50 kg	X		244-14125-3
15 kg		X	244-14126-1
25 kg		X	244-14126-2
50 kg		X	244-14126-3
Reservoir Ø for 25 kg			311 - 330 mm
Reservoir Ø for 50 kg			365 - 385 mm
Output volume			approx. 45 cm ³ /stroke
Supply pressure			approx. 30 bar



6001a02

NOTE

The filling is effected via a hydraulic coupling. For the coupling counterpart to use (see Fig. 18-6 + 18-7).

Accessories for the filling of the lubrication fittings

1 x mouth piece	251-10124-4
1 x reducing nipple R1/4 x R1/8 Z	222-12258-2
1 x filler fitting	251-14073-1
1 x sealing ring	226-13780-2
or reducing nipple	226-14105-9

Drilling Templates

Designation	Part no.
Central lubrication pump 203	810-55150-1
SSV Metering devices	810-55005-3

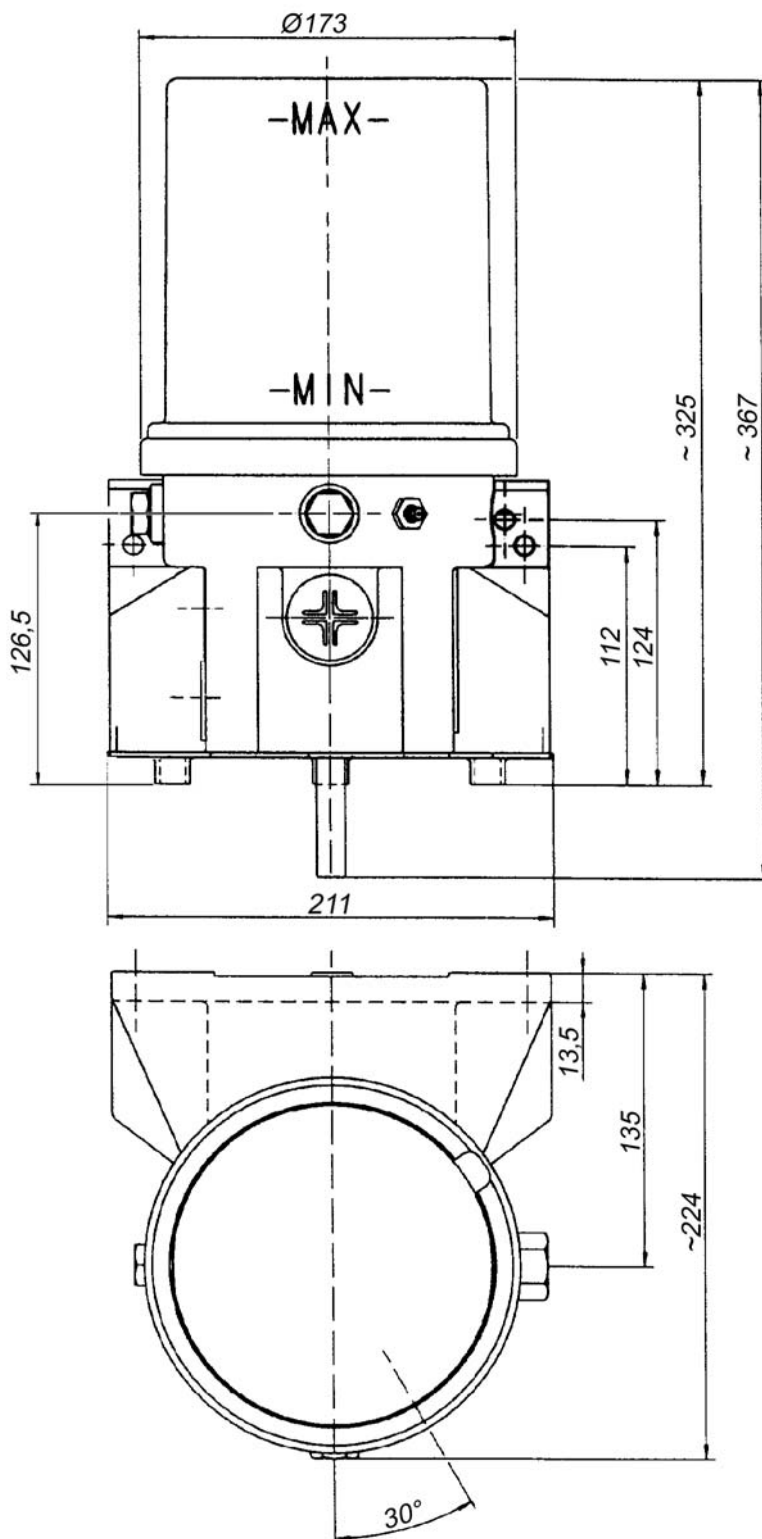
Operating Instructions

Designation	Part no.
Central lubrication pump 203 DC	810-55168-1
Control p.c.b. H 236-13857-1	810-55170-1
Control p.c.b. V10 – V13 236-10697-1	810-55240-1
Control p.c.b. M 00 - M 23 236-13870-3	810-55172-1
SSV Metering device	810-55174-1
SSV D Metering device	810-55484-1

Subject to modification

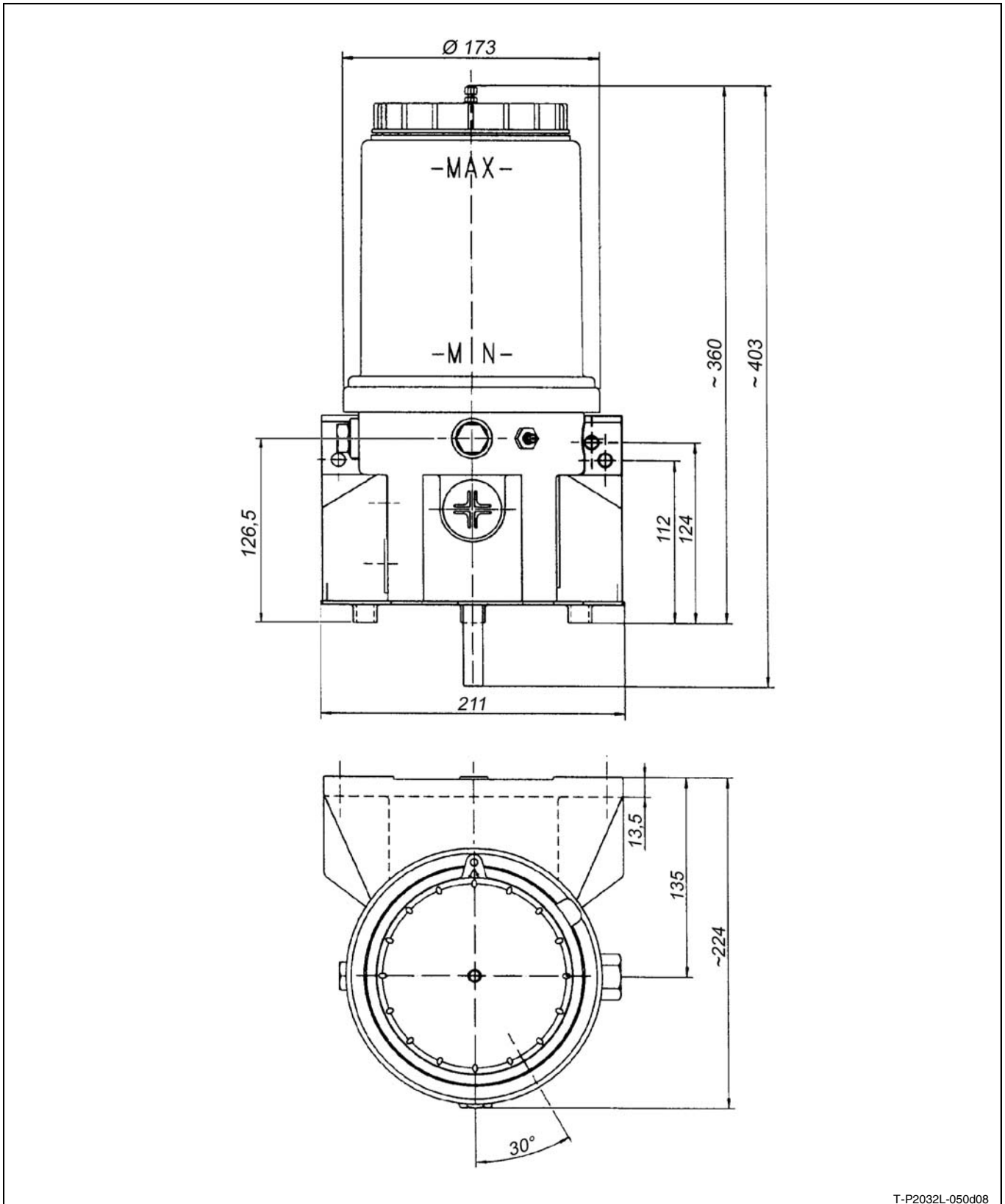
Dimensions

Dimensions: Pump 203 with 2 litre reservoir (standard)



T-P2032L-050a08

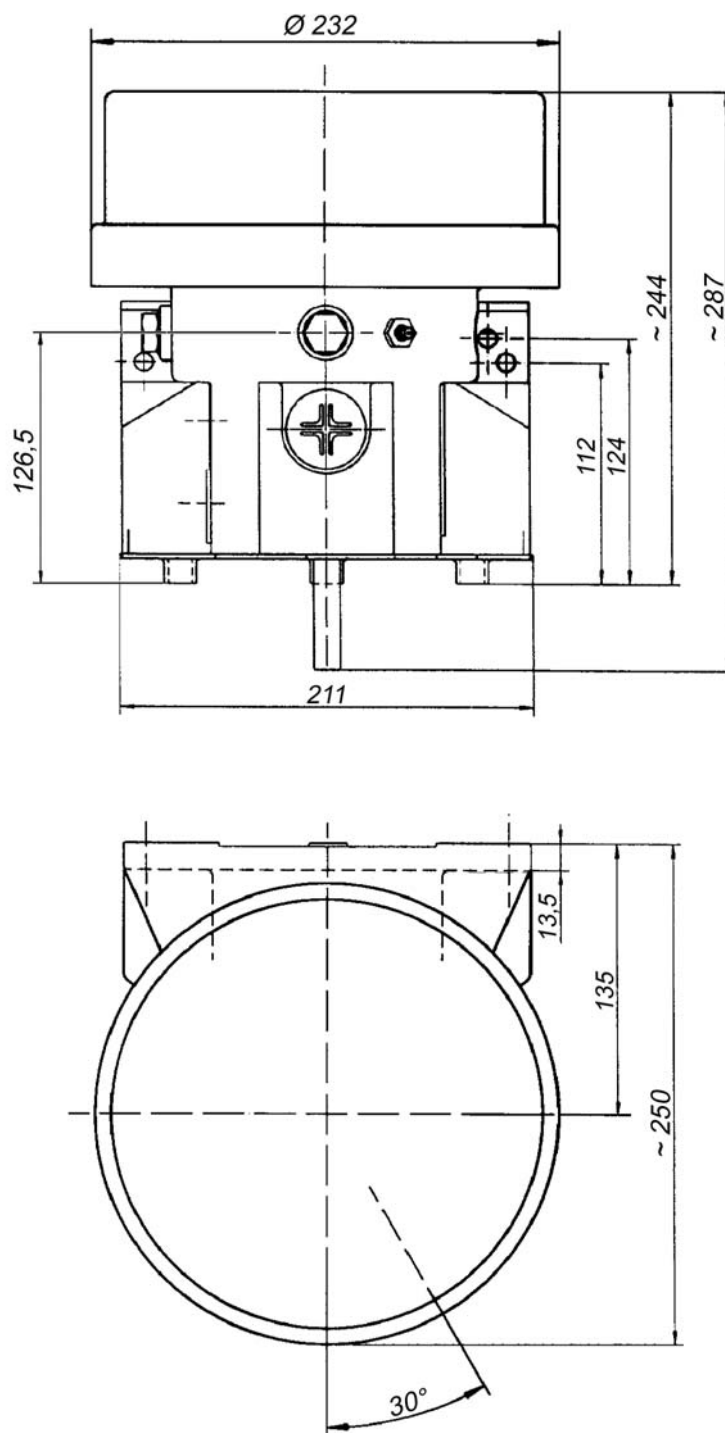
Dimensions: Pump 203 with 2 litre reservoir to be filled from the top



T-P2032L-050d08

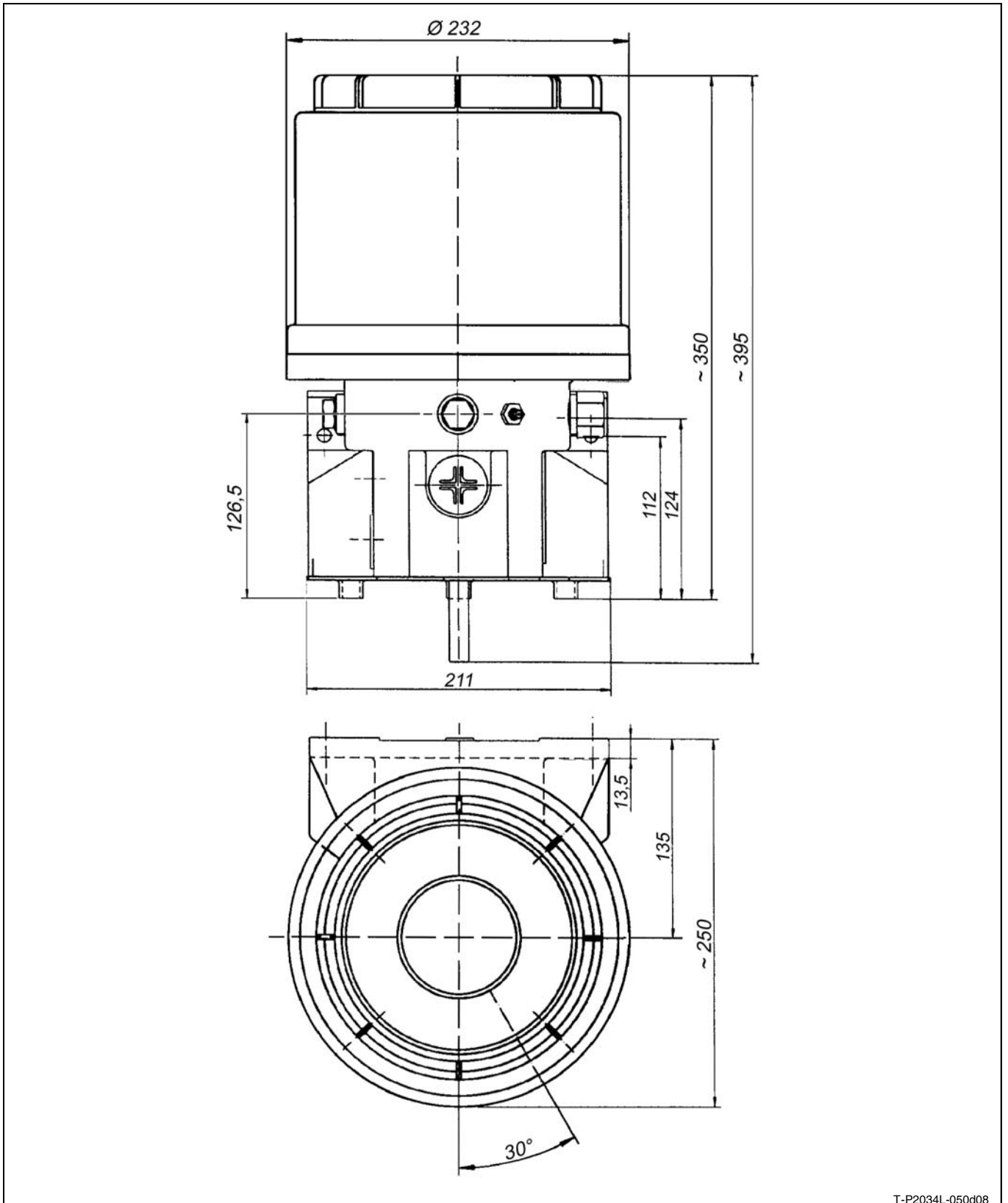
Subject to modification

Dimensions: Pump 203 with 2 litre flat-type reservoir



T-P2032L-050f08

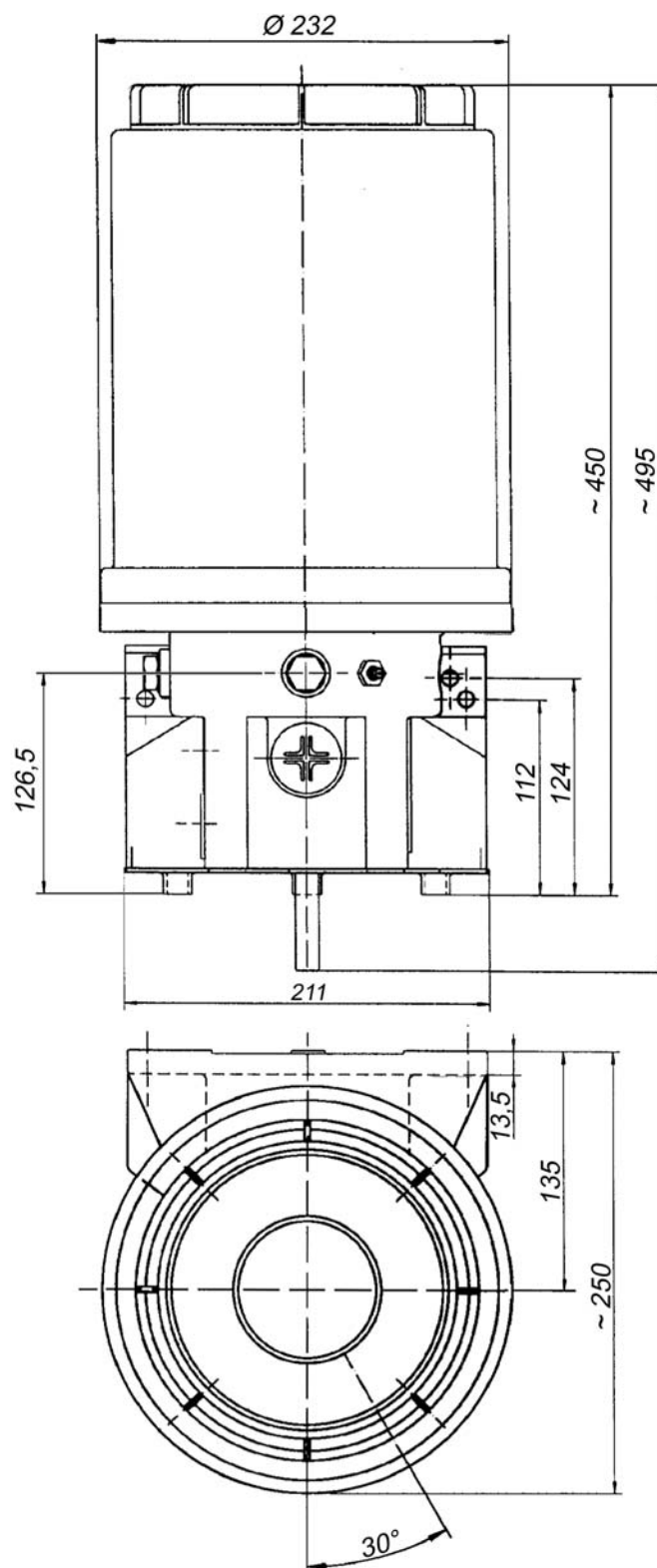
Dimensions: Pump 203 with 4 litre reservoir to be filled from the top



T-P2034L-050d08

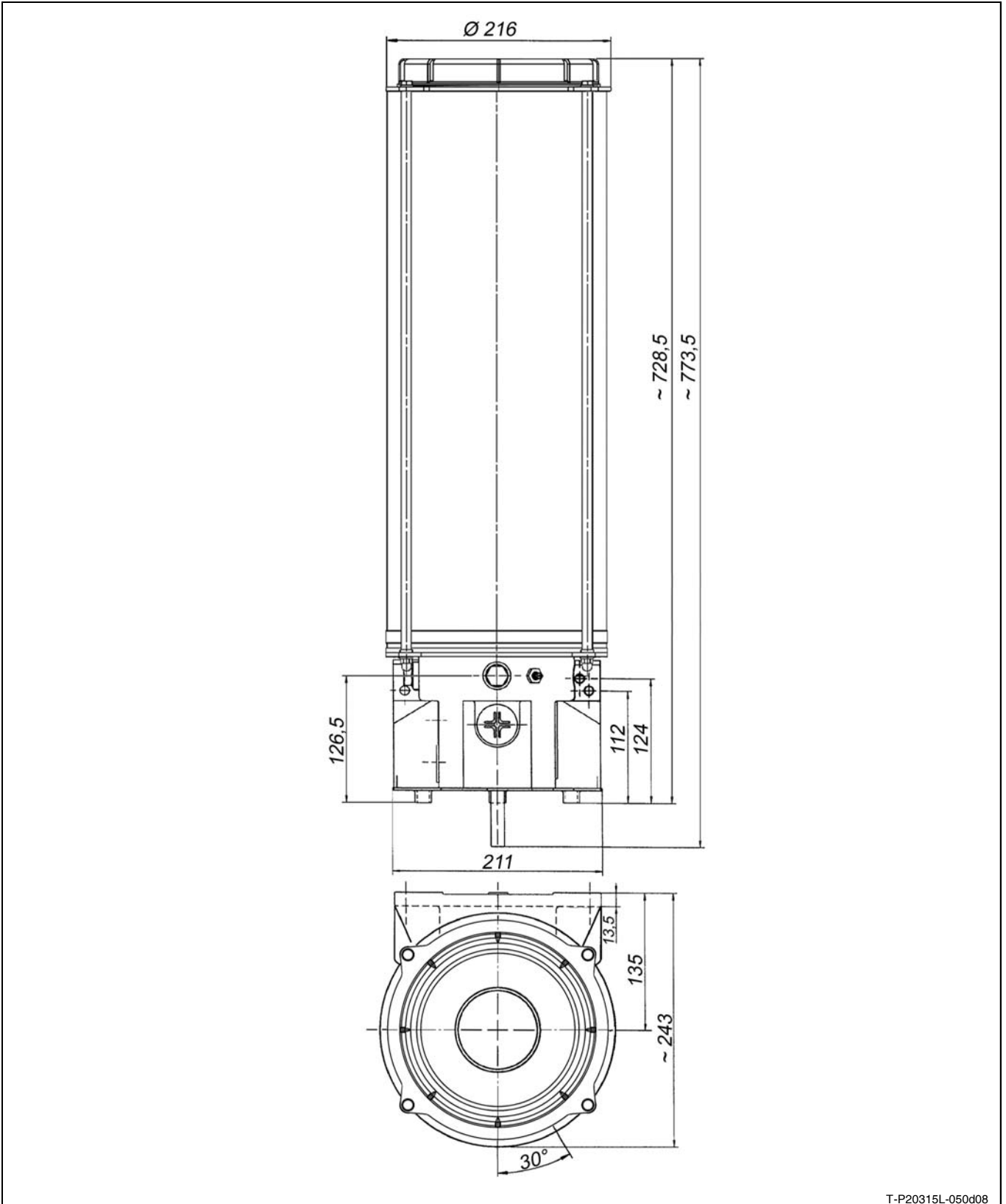
Subject to modification

Dimensions: Pump 203 with 8 litre reservoir to be filled from the top



T-P2038L-050d08

Dimensions: Pump 203 with 15 litre reservoir to be filled from the top

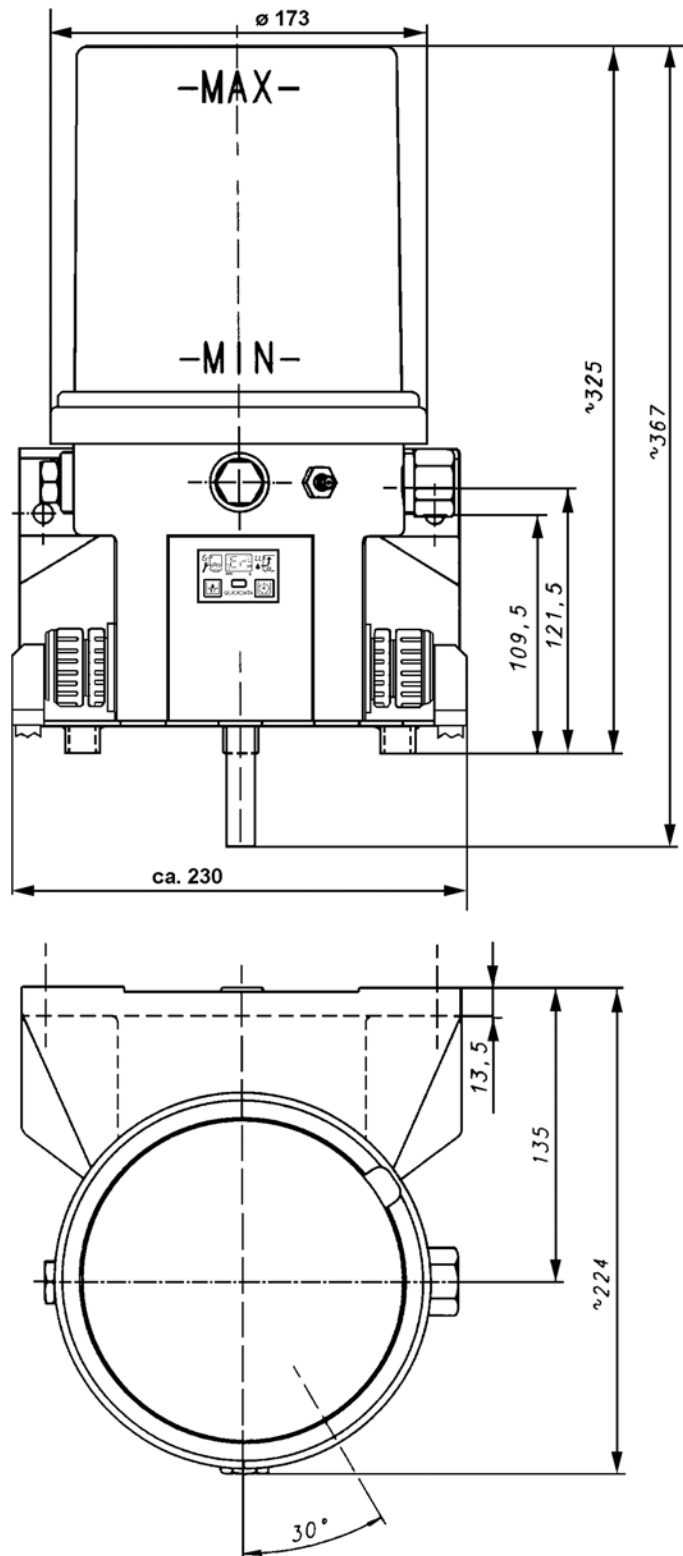


T-P20315L-050d08

Subject to modification

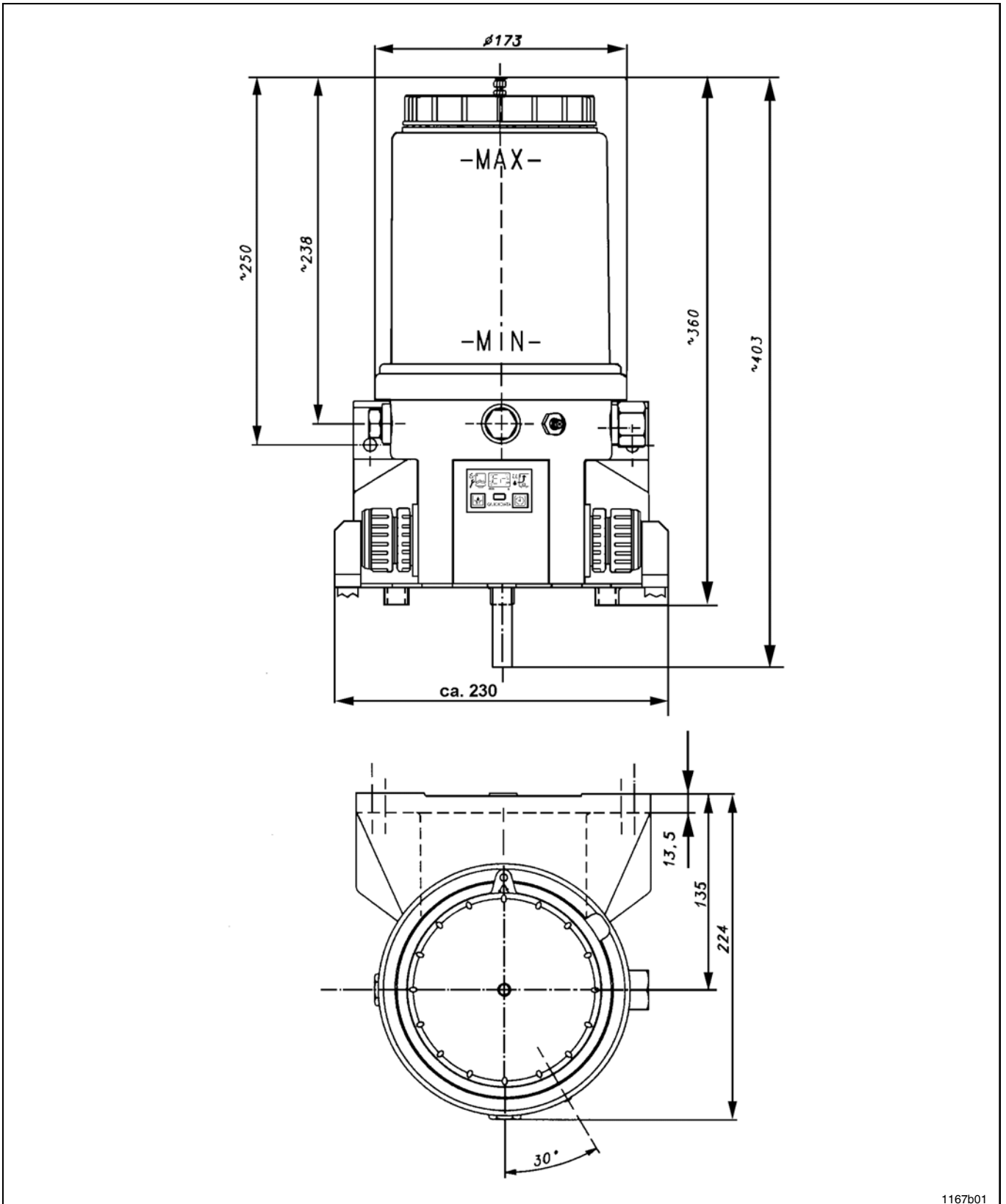
Dimensions, continuation

Dimensions: Pump 223/233 with 2 l reservoir



1166b01

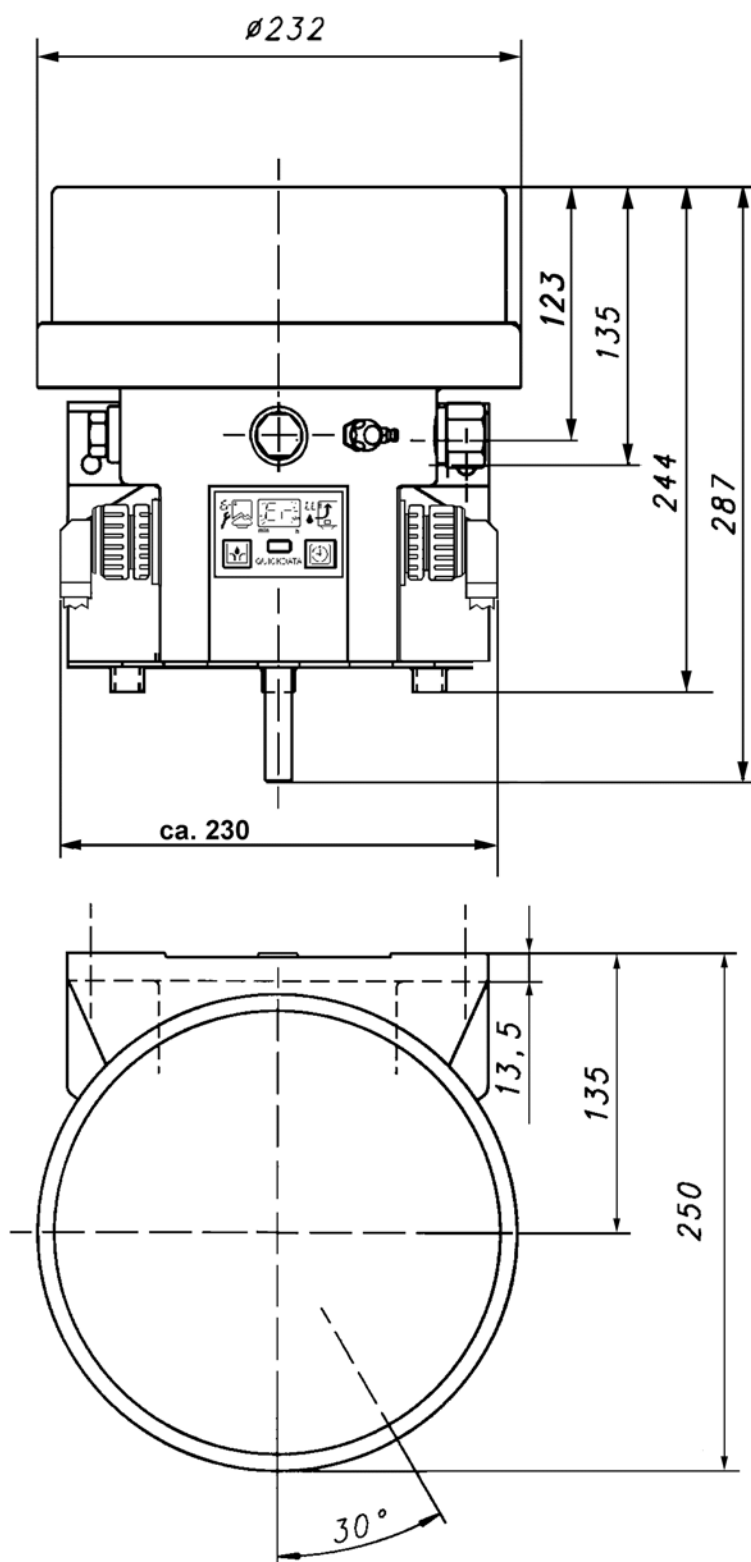
Dimensions: Pump 223/233 with 2 l reservoir with cover to be filled from the top



Subject to modification

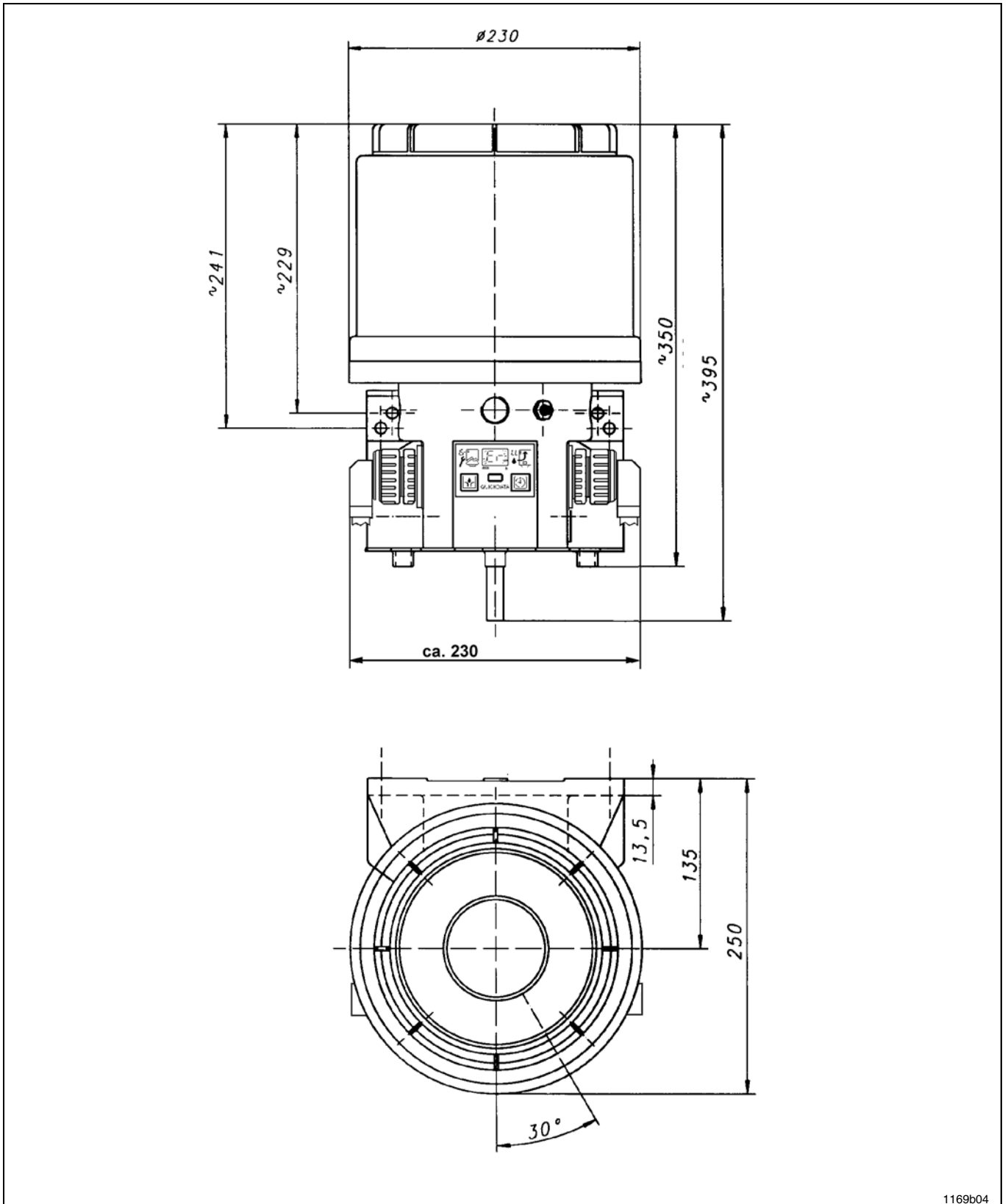
1167b01

Dimensions: Pump 223/233 with 2 litre flat-type reservoir



1168b01

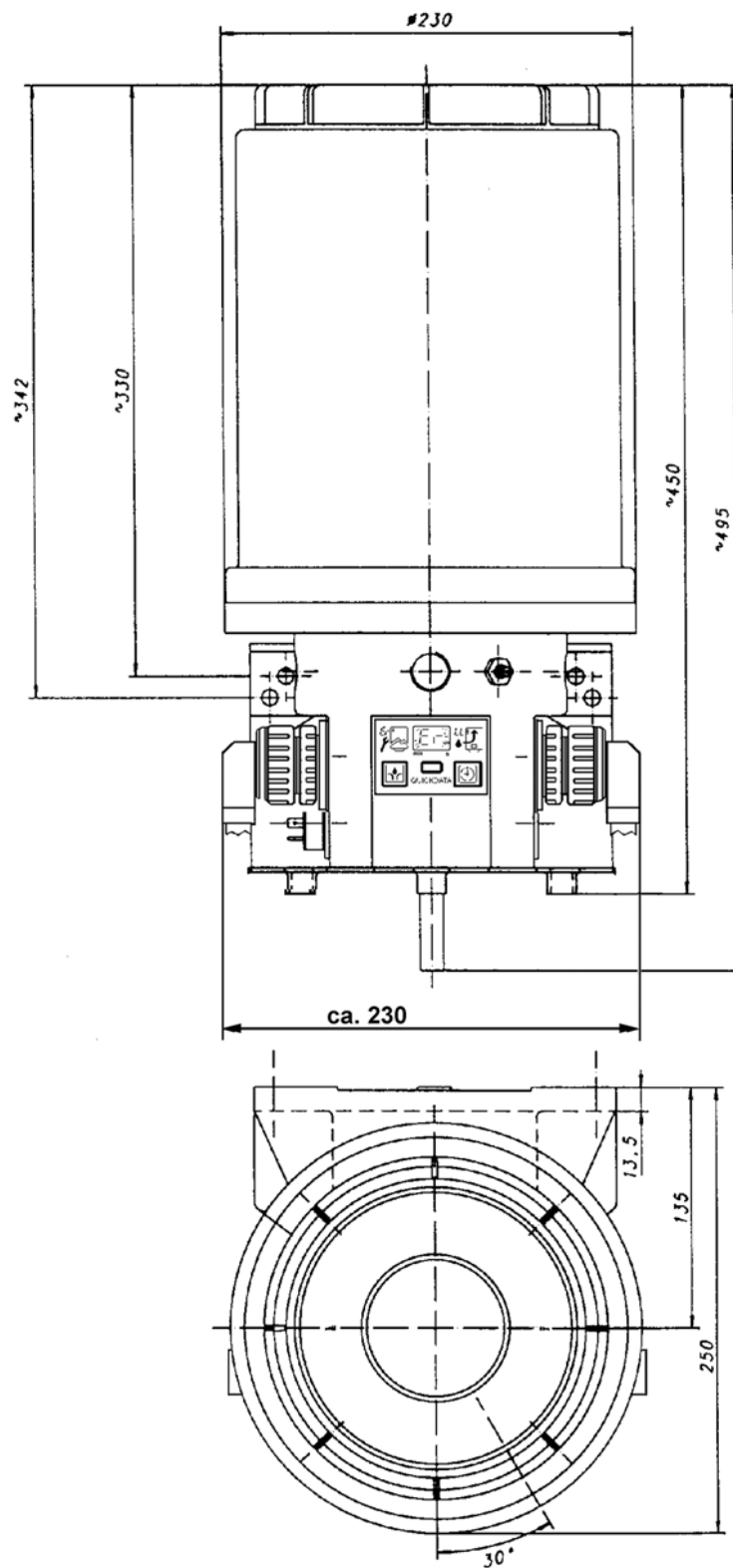
Dimensions: Pump 223/233 with 4 l reservoir with cover to be filled from the top



Subject to modification

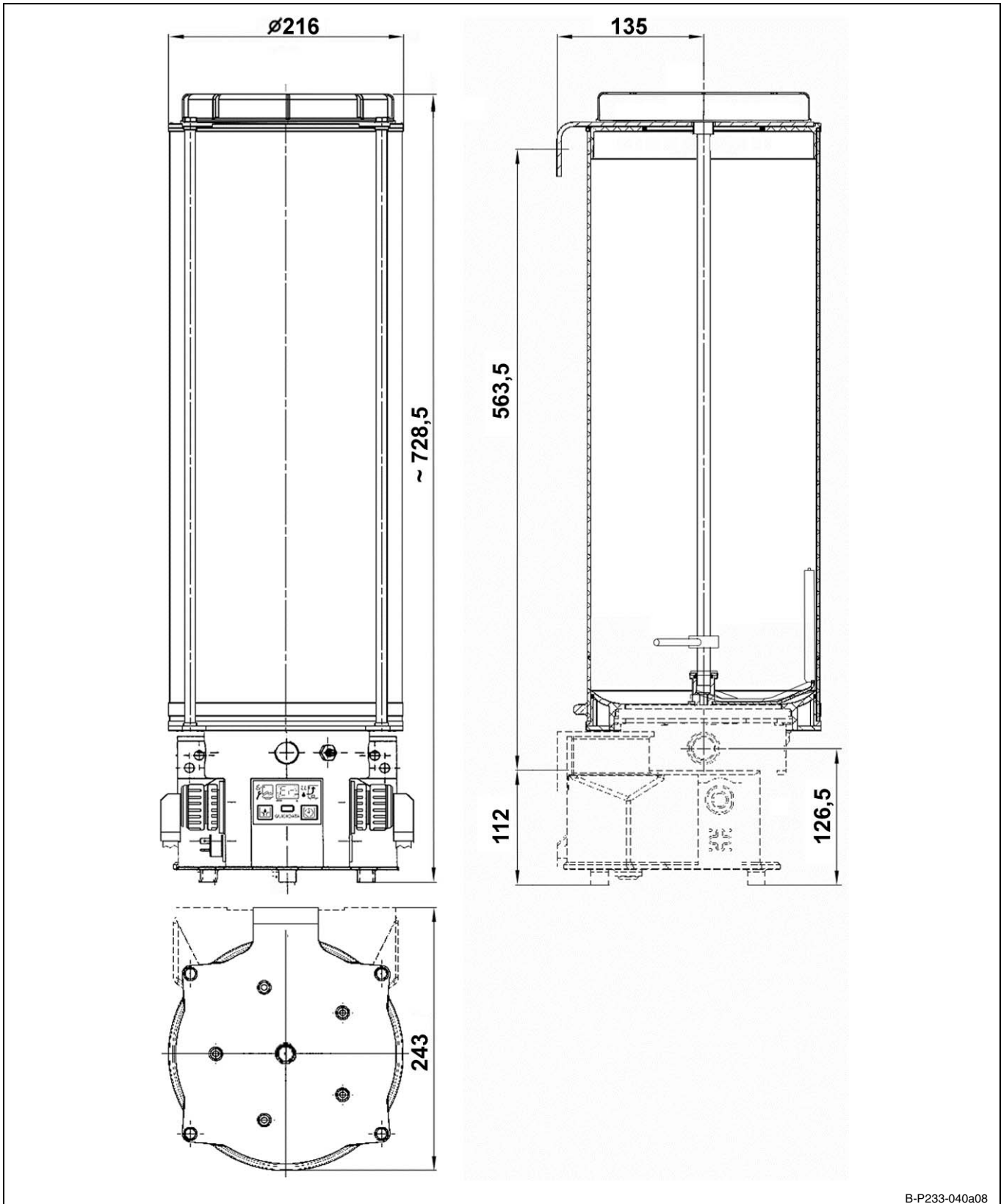
1169b04

Dimensions: Pump 223/233 with 8 l reservoir with cover to be filled from the top



1170b04

Dimensions: Pump 223/233 with 15 l reservoir with cover to be filled from the top

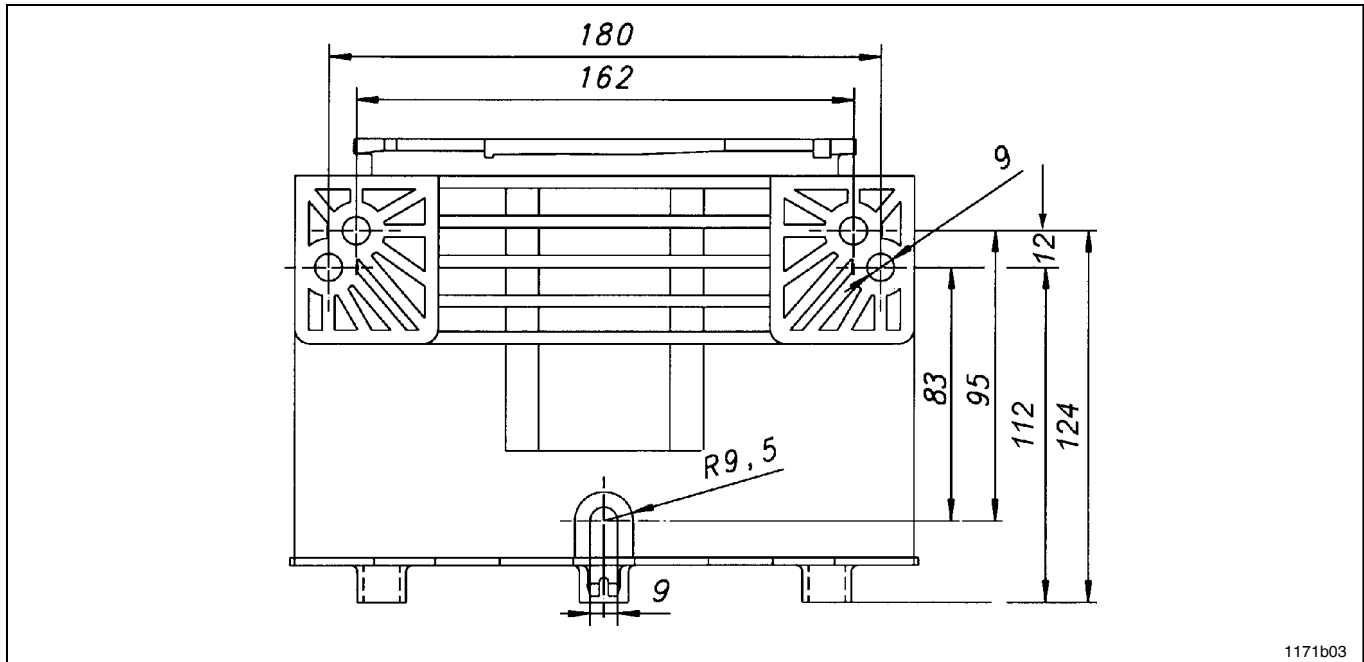


B-P233-040a08

Subject to modification

Dimensions, continuation

Attaching Boreholes



1171b03



6001a02

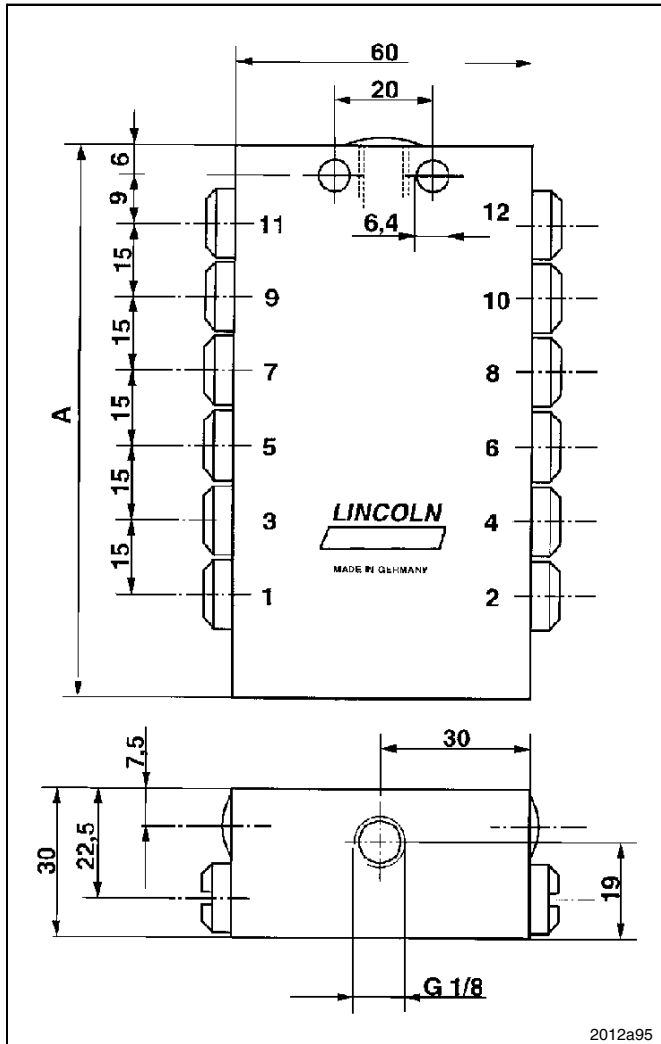
NOTE

Tighten pump models with 2 litre flat-type reservoir and with reservoirs of 4 litres and bigger with three fastening screws (see pt. 9,5).

Dimensions, continuation

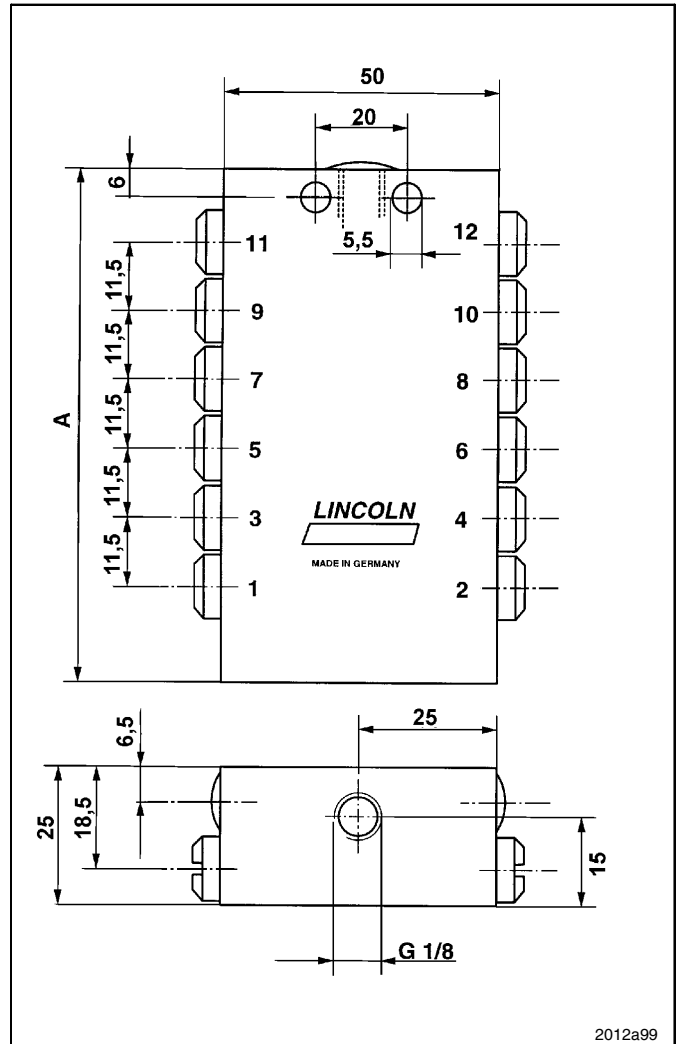
Dimensions

Metering Devices Model SSV6 to 22 & SSV6-E to 22-E



2012a95

Metering Devices Model SSV M 6 to SSV M 12



2012a99

Model SSV & SSV-E **Dimensions A in**

	mm
6	60
8	75
10	90
12	105
14	120
16	135
18	150
20	165
22	180

Model SSV M

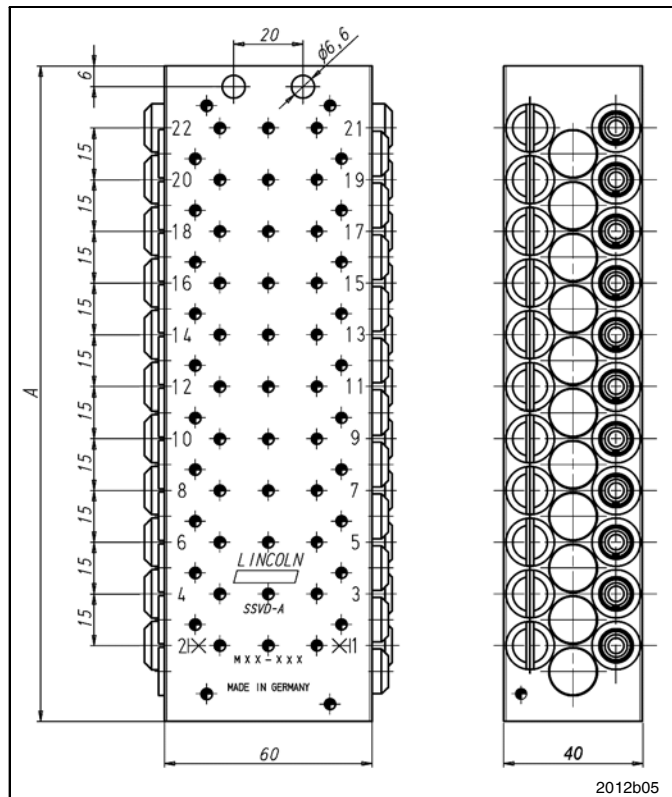
Dimensions A in mm

6	48,5
8	60
10	71,5
12	83

Dimensions, continuation

Dimensions

Metering device model SSVD6 to 22 or SSVD6-E to 22-E



Model SSVD & SSVD-E	Dimensions A in mm
6	70
8	85
10	100
12	115
14	130
16	145
18	160
20	175
22	190

Fittings

Male connector

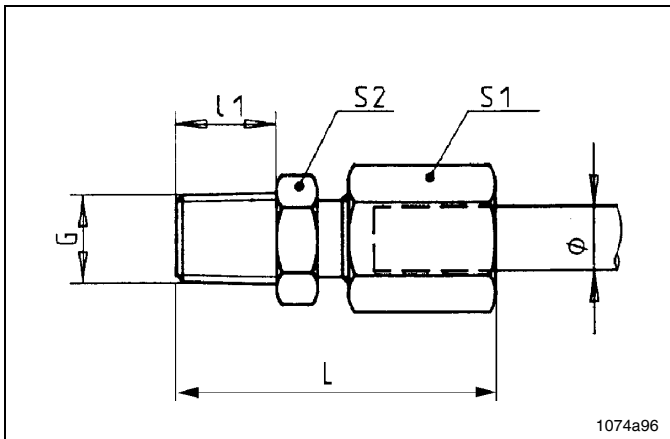


Fig. 27-1 Male connector

Ø	L	L1	S1	S2	Thread	Part no.
4	26	8	10	9	M 6 x 1 con. ¹⁾	223-12533-5
4	25	8	10	10	M 8 x 1 con.	223-12271-8
4	25	8	12	11	M10 x 1 con.	223-13069-1
4	26	8	12	11	R 1/8 con.	223-12270-8
6	26	8	12	11	M 6 x 1 con. ¹⁾	223-12533-9
6	28	8	12	11	M 8 x 1 con.	223-13023-1
6	28	8	12	11	M10 x 1 con.	223-12271-7
6	26	8	12	11	R 1/8 con.	223-12270-7
8	23	8	14	14	M 10 x 1 con. ¹⁾	223-13021-1
8	25	12	17	17	M12 x 1.5 con.	223-12361-6
8	28	8	14	12	R 1/8 con.	223-12270-9
8	25	12	19	17	R 1/4 con.	223-13621-6

¹⁾ con. = conical thread

Male elbow

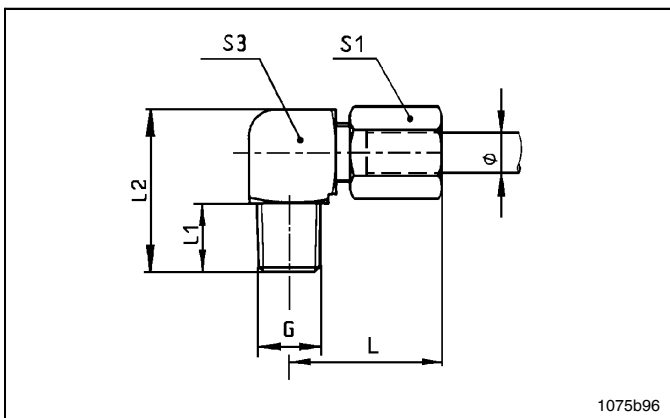


Fig. 27-2 Male elbow

Ø	L	L1	L2	S1	S3	Thread	Part no.
4	21	8	17	10	9	M 6 x 1 con. ¹⁾	223-12533-6
4	21	8	17	10	9	M 8 x 1 con.	223-13021-5
4	21	8	17	10	9	M10 x 1 con.	223-13069-2
4	21		17	10	9	R 1/8 con.	223-13021-4
6	21	8	17	12	11	M 6 x 1 con. ¹⁾	223-13023-2
6	21	8	17	12	11	M 8 x 1 con.	223-13023-3
6	21	8	17	12	11	M10 x 1 con.	223-13021-3
6	21	8	17	12	11	R 1/8 con.	223-12485-9
8	23	8	20	14	12	M10 x 1 con. ¹⁾	223-12362-4
8	29	12	26	17	14	M12 x 1.5 con.	223-12362-8
8	23	8	20	14	12	R 1/8 con.	223-13021-6

¹⁾ con. = conical thread

Banjo connector

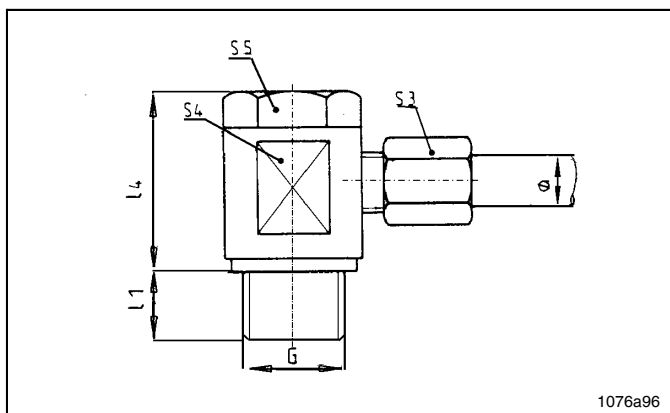


Fig. 27-3 Banjo connector

Ø	L1	L4	S3	S4	S5	Thread	Part no.
4	6	20	12	14	14	G 1/8 A	223-13629-1
4	6	20	12	14	14	M10 x 1	223-12480-8
6	6	20	12	14	14	G 1/8 A	223-12479-9
6	6	20	12	14	14	M10 x 1	223-12480-7

Subject to modification

Fittings, continuation

Extensions

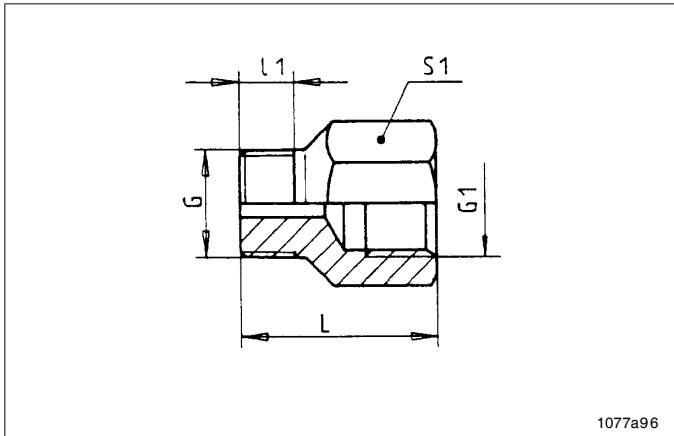


Fig. 27-4 Extension

L	L1	S1	Thread	Thread 1	Part no.
16	6	10	M 8 x 1 con. ¹⁾	M 8 x 1	304-19437-1
18	6	13	R 1/8"	M10 x 1	304-19230-1
20	8	14	M12 x 1 con.	M10 x 1	712-12724-7
17	6	13	M 8 x 1 con.	G 1/8	304-19167-1
20	6	10	M 6 x 1 con.	M 8 x 1	304-19787-1
18	4,5	13	M10 x 1 con.	M10 x 1	304-19509-1
16	6	10	M8 x 1.25 con.	M8 x 1	304-19548-1

¹⁾ con. = conical thread

Union

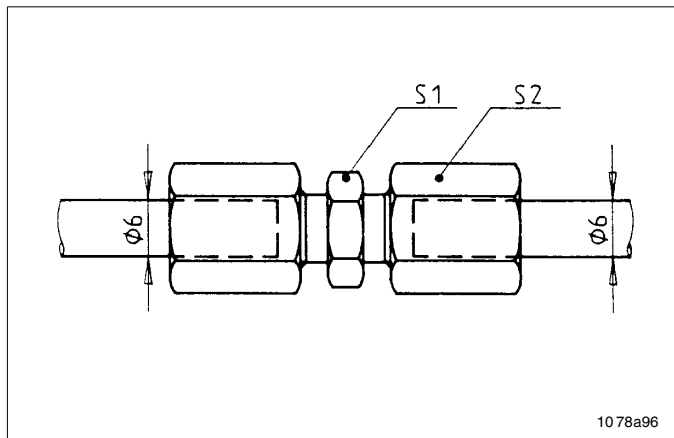


Fig. 27-5 Union

S1	S2	Part no.
11	12	223-12482-9

Union tee

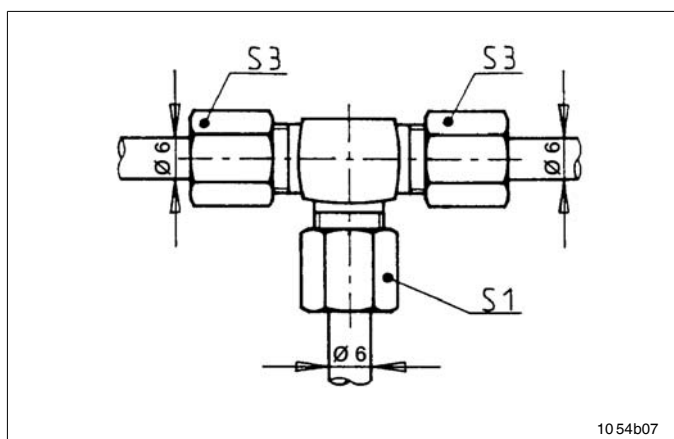


Fig. 27-6 Union tee

S1	S2	S3	Part no.
12	11	12	223-12484-9

Fittings, continuation

Male connector, push-in type

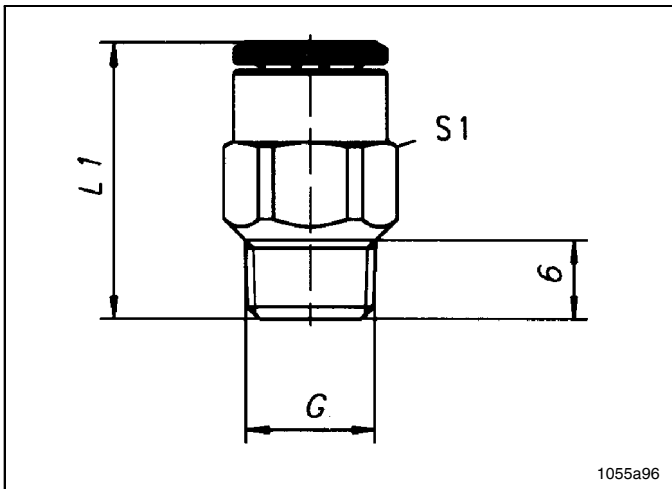


Fig. 27-7 Male connector, push-in type

Ø	L1	S1	Thread	Part no.
4	21	10	M 6 x 1 con. ¹⁾	226-13752-3
4	18	10	M 8 x 1 con.	226-13752-1
4	18	12	M 10 x 1 con.	226-13752-2
4	19	12	R 1/8 con.	226-13752-4
6	23.5	12	M 6 x 1 con.	226-13752-8
6	23	12	M 8 x 1 con.	226-13752-7
6	21	12	M 10 x 1 con.	226-13752-6
6	21.5	12	R 1/8 con.	226-13752-9
6	21.5	12	R 1/8 con.	226-14111-1

¹⁾ con. = conical thread

Male elbow, push-in type

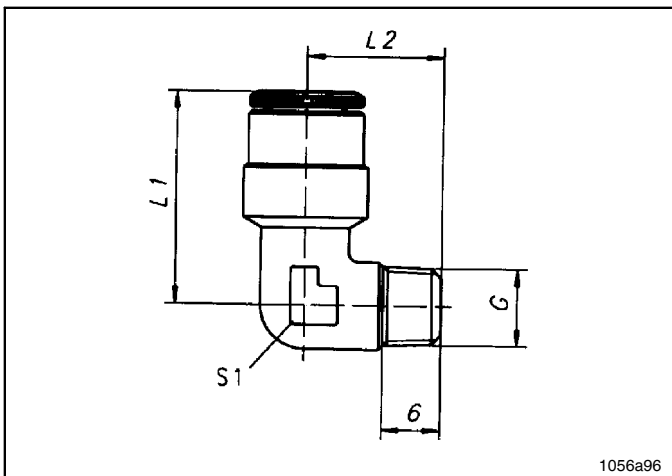


Fig. 27-8 Male elbow, push-in type

Ø	L1	L2	S1	Thread	Part no.
4	20	13,5	10	M 6 x 1 con. ¹⁾	226-13753-5
4	20	15	10	M 8 x 1 con.	226-13753-1
4	20	15	10	M 10 x 1 con.	226-13753-2
4	20	15	10	R 1/8 con.	226-13753-3
6	22	15	10	M 6 x 1 con.	226-13753-7
6	22	14	10	M 8 x 1 con.	226-13753-8
6	22	14	10	M 10 x 1 con.	226-13753-6
6	22	16.5	10	R 1/8 con.	226-13753-4
6	23	16	10	R 1/8 con.	226-13753-9

¹⁾ con. = conical thread

Male elbow, push-in type, rotatable

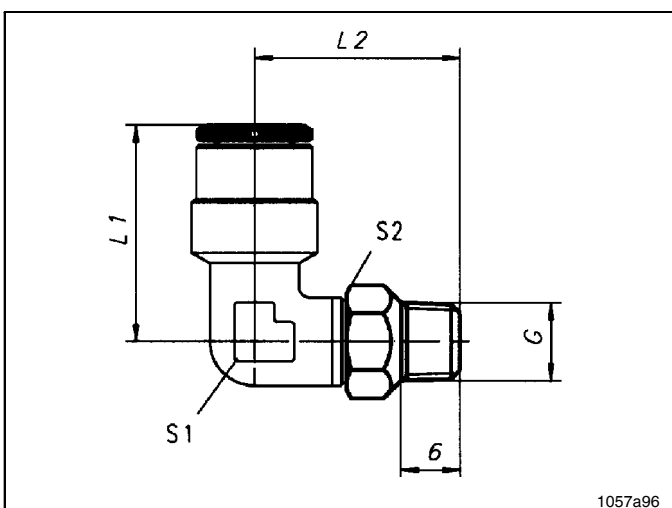


Fig. 27-9 Male elbow, push-in type, rotatable

Ø	L1	S1	S2	Thread	Part no.
4	20	21	10	M10 x 1	226-13756-2
4	20	21	10	M 8 x 1	226-13756-1
4	20	21	10	M 6 x 1	226-13756-6
4	20	21	12	R 1/8	226-13756-3
6	22	21	10	M 8 x 1	226-13756-4
6	22	21	12	M 10 x 1	226-13756-5
6	22	21	10	M 6 x 1	226-13756-7
6	22	21	10	R 1/8	226-13756-8

Subject to modification

Fittings, continuation

Valve body, push-in type

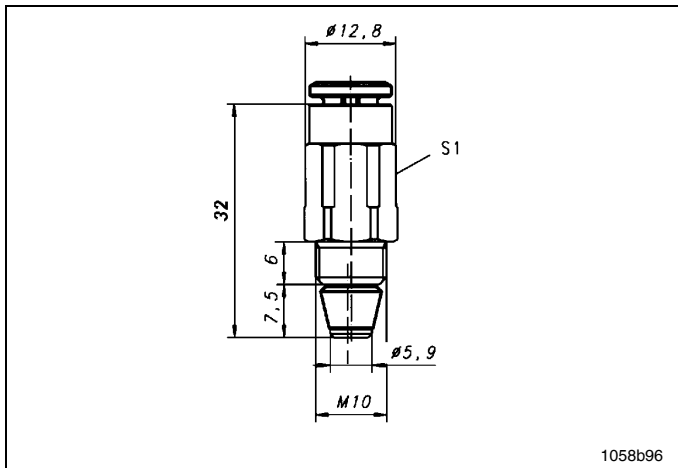


Fig. 27-10 Valve body, push-in type

Thread	Part no.
Standard design M 10 x 1	226-14091-2
Reinforced collar M 10 x 1	226-14091-4

Valve body 90° with clamping ring, push-in type

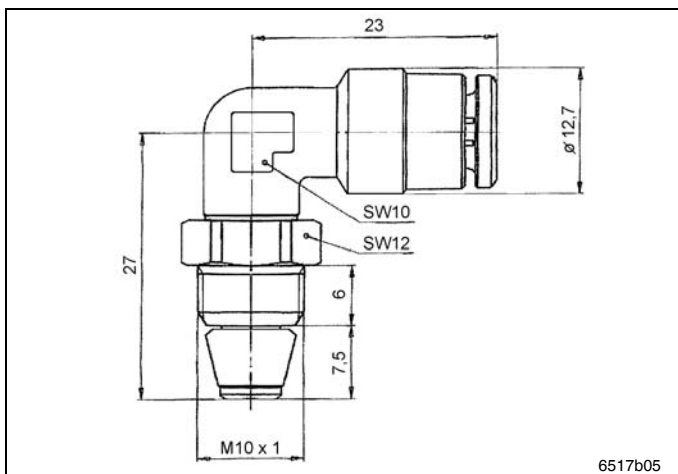


Fig. 27-11 Reinforced version for the connection of hose studs

Designation	Tube- \varnothing	Part no.
Reinforced collar WRWV 6521-6-M 10 x 1	6 mm	226-14091-8
Standard design WRV 6511-6-M 10 x 1	6 mm	226-14091-9

T-piece, push-in type

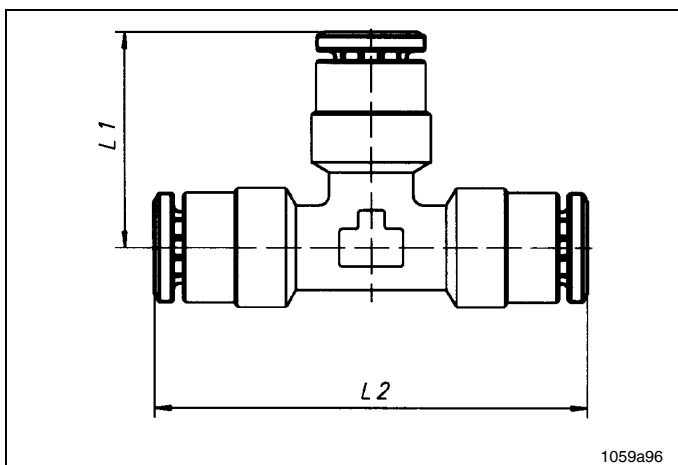


Fig. 27-12 T-piece, push-in type

L1	L2	Part no.
23	46	226-14097-2
23	46	226-14097-4 ¹⁾

¹⁾ reinforced

Fittings, continuation

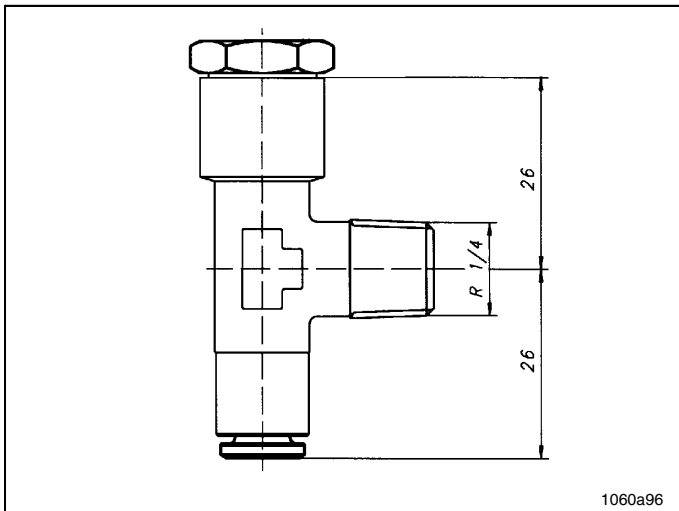


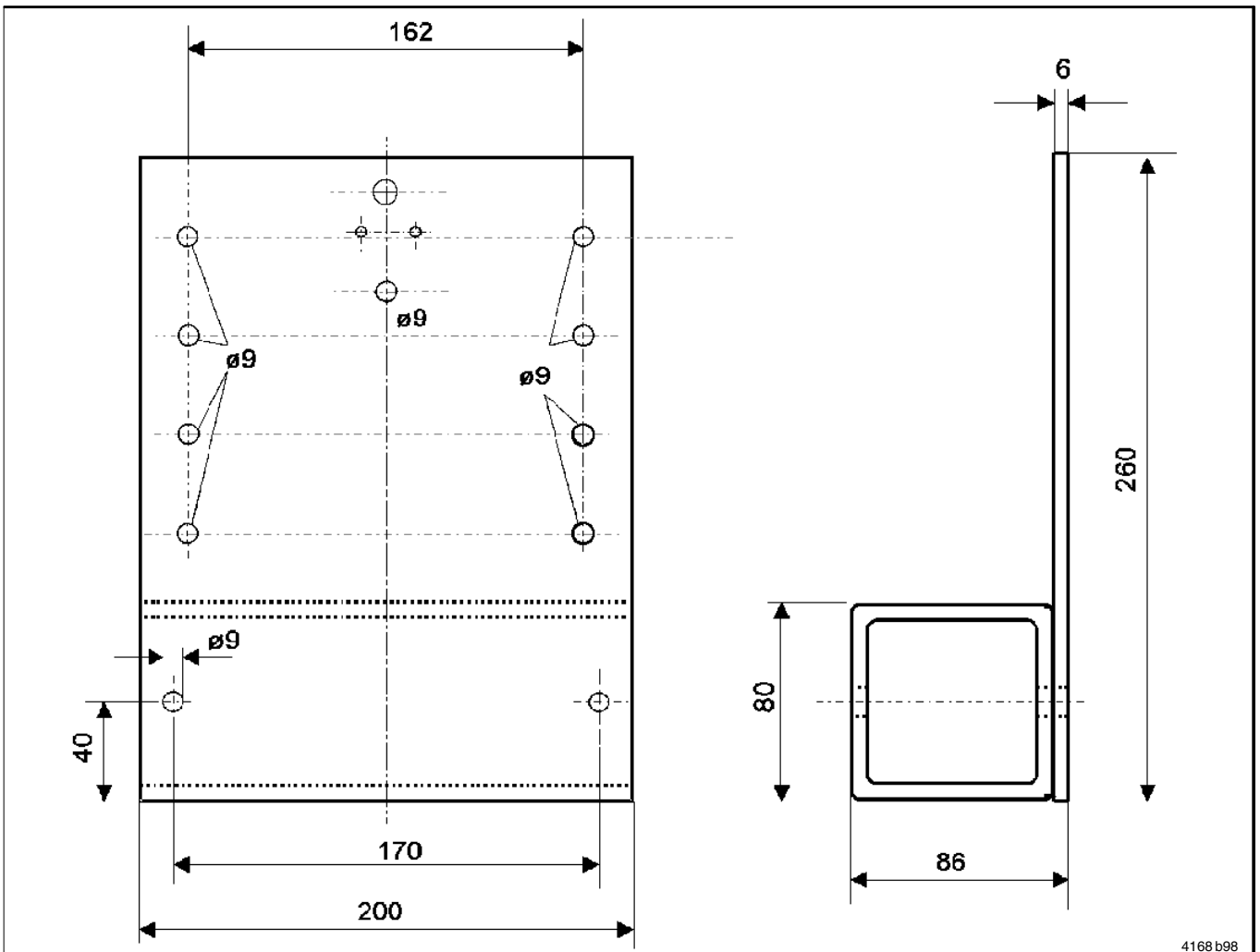
Fig. 27-13 Pressure relief valve, push-in type

Pressure relief valve, push-in type

Designation	Tube- \varnothing	Part no.
Pressure relief valve	6 mm	624-28860-1

Brackets

Pump 203

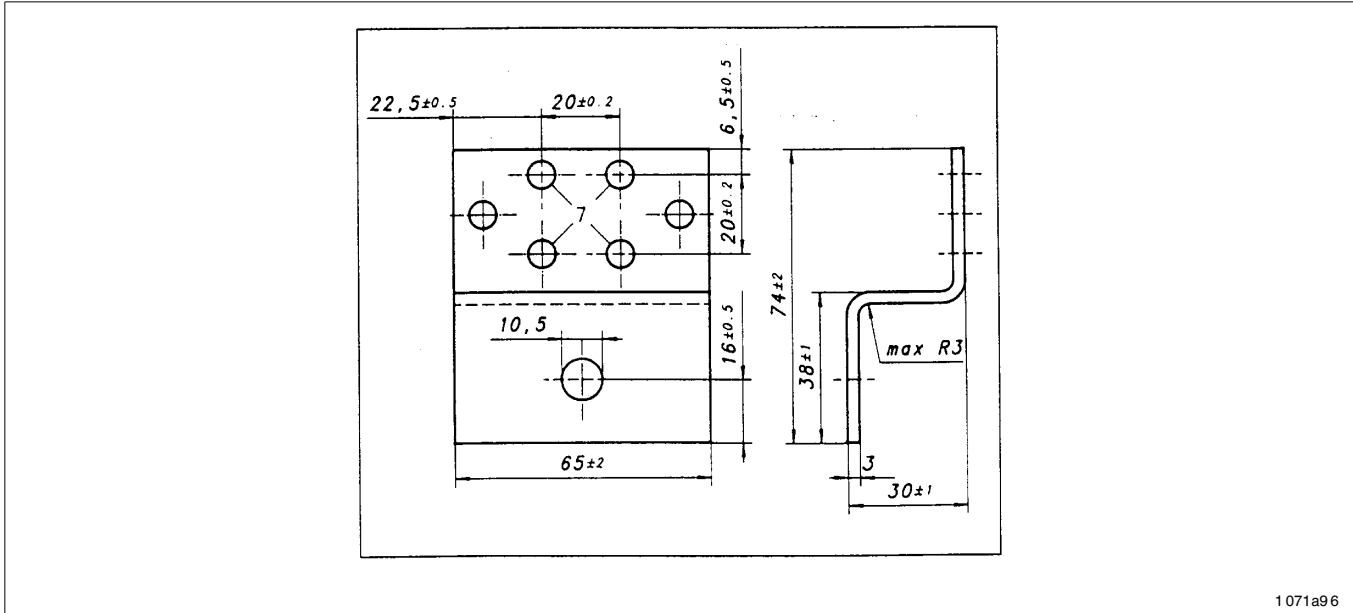


Subject to modification

Fig. 28-1 Bracket for Pump 203, Part no. 307-19644-1

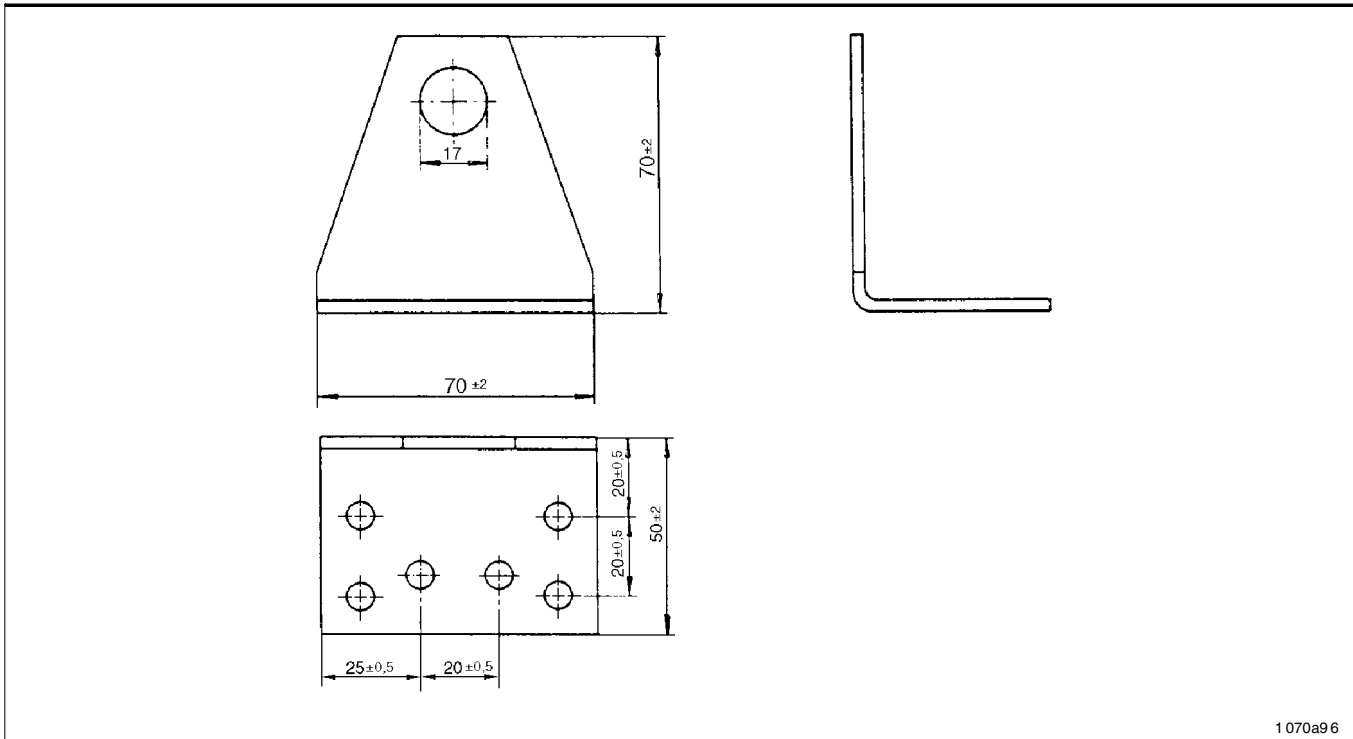
Brackets and Mounting Elbows

Metering Devices



1071a96

Fig. 29-1 Bracket for metering devices, Part no. 307-19543-1



1070a96

Fig. 29-2 Mounting elbows for metering devices, Part no. 432-23982-1

Weights

Pumps 203

The weights mentioned below include the following "individual weights":

- Pump kit with **one** pump element, pressure relief valve, grease filling (0.75 kg, 1.5 kg)
- Packaging (cardboard box)
- Fixing parts
- Operating instructions

2 L reservoir, standard (0.75 kg)

Pump model 203 without connecting cable	5.4 Kg
Pump model 203 type of connection 1A1	6.5 Kg
Pump model 203 type of connection 2A1	7.1 Kg

4 L reservoir, standard (1.5 kg)

Pump model 203 without connecting cable	8.3 Kg
Pump model 203 type of connection 1A1	9.3 Kg
Pump model 203 type of connection 2A1	9.9 Kg

8 L reservoir, standard (1.5 kg)

Pump model 203 without connecting cable	8.6 Kg
Pump model 203 type of connection 1A1	9.6 Kg
Pump model 203 type of connection 2A1	10.2 Kg

Metering devices

SSV 6	0.8 kg
SSV 8	1.0 kg
SSV 10	1.2 kg
SSV 12	1.4 kg
SSV 14	1.8 kg
SSV 16	2.0 kg
SSV 18	2.2 kg
SSV 20	2.4 kg
SSV 22	2.6 kg
SSV D 6	1.2 kg
SSV D 8	1.5 kg
SSV D 10	1.7 kg
SSV D 12	1.9 kg
SSV D 14	2.2 kg
SSV D 16	2.5 kg
SSV D 18	2.8 kg
SSV D 20	3.1 kg
SSV D 22	3.4 kg

In the case of other pump models, the weights of the components must be added to the before mentioned weights.

per pump element	+0.2 kg
per pressure relief valve	+0.1 kg
10 m connection cable, 5-core - (microprocessor) 2A4	+1.1 kg
10 m connection cable, 4-core - (microprocessor) 2A4	+0.4 kg
Connection cable with piston detector 00	+0.1 kg
Reservoir design "Filling from top (only 2 L) ¹⁾	+0.15 kg
2 L flat-type reservoir	+0.5 kg



600 1a02

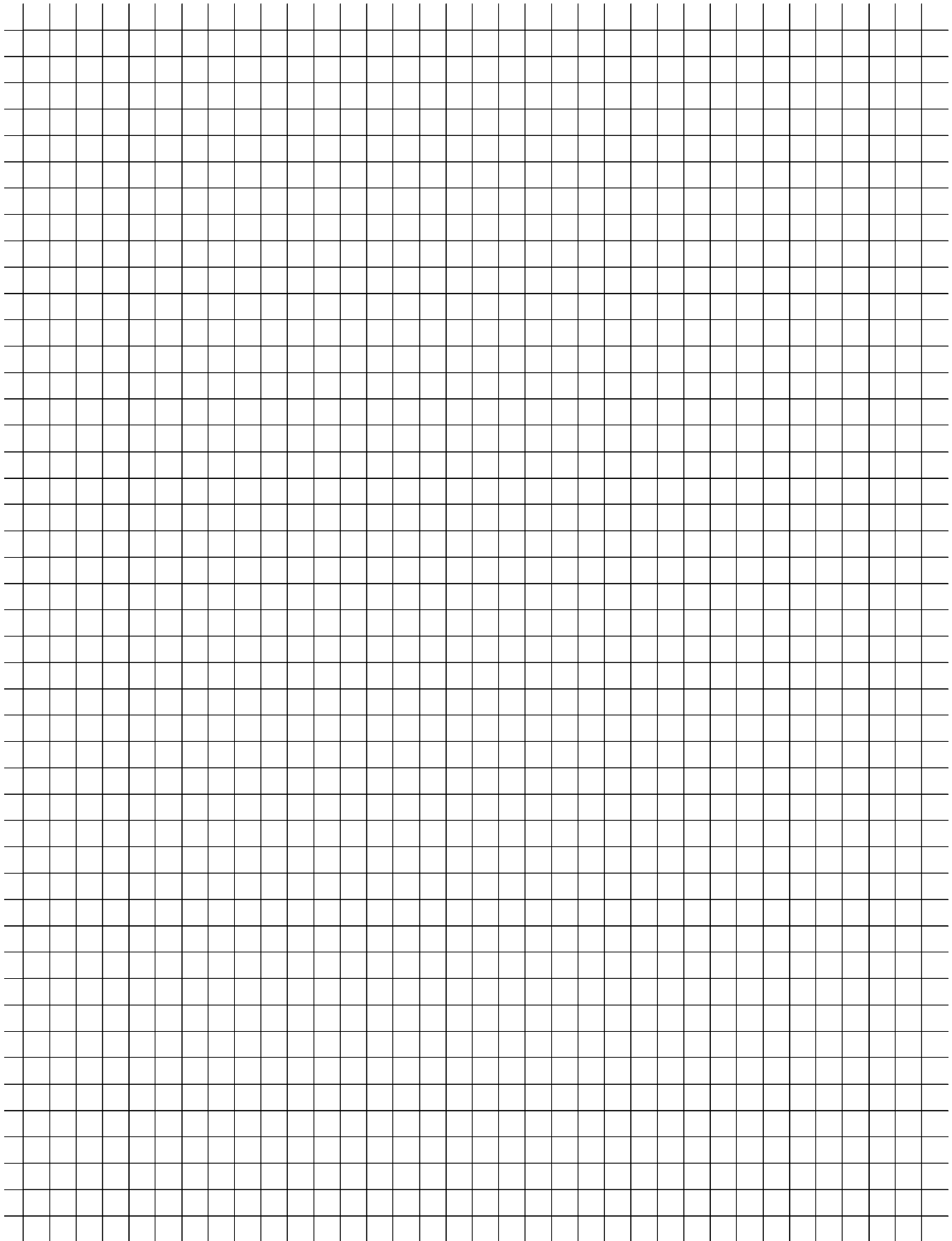
NOTE

The 4 L and 8 L reservoirs are equipped in series with "Filling from top".

Accessories

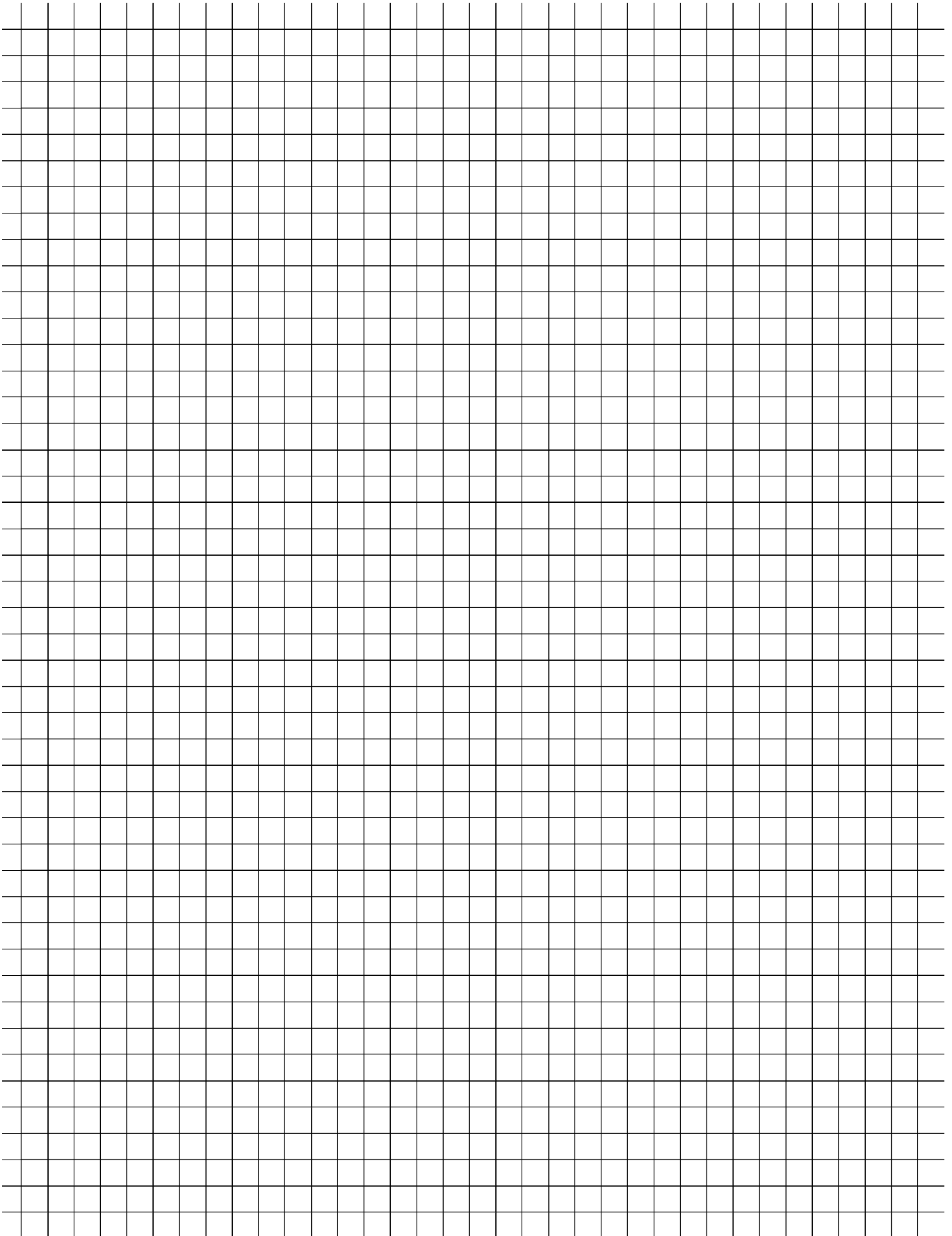
Check valve assy., screw type	16.2 g
Check valve assy., push-in type	18.9 g
Male connectors	
- screw type	13.8 g
- push-in type	10.6 g
Male elbows	
- screw type	23.5 g
- push-in type	16.0 g
Hydraulic lubrication fitting	10.3 g
Indicator pin	15.0 g
Indicator pin & limit switch	102.0 g
Piston detector	130.0 g
Piston detector, 3-wire	30.0 g

Notes:



Subject to modification

Notes:



Subject to modification

Lincoln's Global Distribution and Service Network – The Best in Our Industry –



Whatever service is required – selecting a lubricating system, customised system installation or the supply of top quality products – you will always be best advised by the staff of the Lincoln offices, representatives and contract dealers.

Systems dealers

Our systems dealers have the most extensive specialised knowledge in our industry. They plan your installations to suit your specifications with exactly the combination of Lincoln components that you need. They then build the installations at your operation with experienced technicians or work closely with your personnel to ensure that everything goes smoothly.

All dealers have the complete range of pumps, distributors, monitoring devices and accessories in stock and meet our exacting demands with their specialised knowledge about products, installations and service. Whenever and wherever you need our experts, from St. Louis to Singapore, Walldorf and worldwide, Lincoln's first-class systems dealers are at your service.

Find out where the nearest Lincoln distribution and service office to you is located:

Americas	Lincoln Industrial	One Lincoln Way St. Louis, MO 63120-1578 USA	Phone: (+1) 314 679 4200 Fax: (+1) 800 424 5359 Home: www.lincolnindustrial.com
Europe Middle East Africa India	Lincoln GmbH	Heinrich-Hertz Straße 2-8 69190 Walldorf Germany	Phone: (+49) 6227 33-0 Fax: (+49) 6227 33-259 E-Mail: lincoln@lincolnindustrial.de Home: www.lincolnindustrial.de
Asia Pacific	Lincoln Industrial Corporation	3 Tampines Central 1 # 04-05 Abacus Plaza Singapore 529540	Phone: (+65) 6588-0188 Fax: (+65) 6588-3438 E-Mail: sales@lincolnindustrial.com.sg

© Copyright 2012

DIN EN ISO 9001
by DQS
Reg.-Nr. 799

DIN EN ISO 14001
by GUT